



MDO MILLWORK DESIGN
BY OXFORD

Enhancing the style
of your home

GREAT SERVICE & SUPERIOR DESIGN



**MILLWORK
DESIGN**

BY OXFORD

Sharper Lines, Crisper Edges, Superior Designs

For over 25 years, Millwork Design by Oxford (MDO), formerly A&B Wood Design, has provided a line of architectural moldings that offer a more custom approach to the traditional “commodity” profiles available. From our warehouse located centrally in Oxford, CT we currently stock over 70 products available for delivery to your local lumber retail yard. MDO has been employee-owned since 2022.

800.669.9871

Fax 203.888.0493 | MDOxford.com

Contents

MDO Stock Collections..... 4-29

Contemporary.....	5-7
Colonial.....	8-13
Clean Lines	14-18
Classic	19-23
Coastal	24-29

Moulding Combinations 30

MDO Designs Special Order31-47

Backbands	46-47
Baseboards.....	39-41
Base Caps.....	32
Beads.....	46
Casings.....	33-38, 45
Chair Rails	41

Crowns.....	42-44
Crowns - Solid.....	45
Crown Extenders.....	47
Panel Mouldings.....	32
Plinths.....	46
Shoe Mouldings.....	32
Sill	47

Historic Mouldings 48-55

Federal	48-49
Greek Revival.....	50
Art Deco	51
Wren & Georgian	52-53
Tudor	54
Victorian	55

Our stock profiles are available in Primed Finger Joint (PFJ) Pine, other species available by Special Order.

1 X 640	AB026 25, 40	AB207-339	AB6746
AB/HM9101.....48	AB02720	AB20839	AB68-322
AB/HM910249	AB027-232	AB20939	AB68-422
AB/HM910350	AB028 20, 40	AB210-140	AB69 11, 16
AB/HM910451	AB10133	AB210-240	AB70512
AB/HM9105 7	AB10233	AB21140	AB7611, 29
AB/HM9105-3 7	AB10333	AB212-1 11	AB802-4 6
AB/HM9106 52	AB10433	AB212-712	AB802-5 6
AB/HM910753	AB10533	AB219 12, 22, 26	AB802-6 6
AB/HM910954	AB10634	AB30125	AB808 6
AB/HM911055	AB10734	AB302 41	AB808BB 6
AB/HM920148	AB10834	AB303 9	AB809 6
AB/HM920249	AB10920	AB304 41	AB8147
AB/HM920350	AB11015	AB305 41	AB810 6
AB/HM9203-250	AB110-215	AB307 41	AB812 6
AB/HM920451	AB110Bead15	AB308 41	AB8218
AB/HM9205 7	AB11115	AB309 41	AB8347
AB/HM9205-2 7	AB111-715	AB31026	AB84-418
AB/HM9205-5 7	AB11234	AB31122	AB8547
AB/HM9206 52	AB11334	AB311-2 41	AB8618
AB/HM920753	AB11434	AB311-322	AB8746
AB/HM920954	AB11535	AB311-BN 41	AB8-Cap 6
AB/HM921055	AB11635	AB40142	AB90718
AB/HM930148	AB11835	AB40216	AB90918
AB/HM930249	AB12135	AB402-416	AB96-147
AB/HM930350	AB12335	AB402-617	ABNick66, 29
AB/HM930451	AB12436	AB40342	ABNick86, 29
AB/HM9305 7	AB12536	AB40442	ABSILL 47
AB/HM9306 52	AB12636	AB40528	
AB/HM930753	AB12736	AB40642	
AB/HM930954	AB12826	AB40743	
AB/HM931055	AB12926	AB408 13	
AB/HM940148	AB13036	AB40917	
AB/HM940249	AB13136	AB41043	
AB/HM9403-150	AB13210	AB50123	
AB/HM9403-250	AB132-210	AB501-423	
AB/HM940451	AB132-410	AB50244	
AB/HM9405 7	AB13337	AB50327	
AB/HM9406 52	AB13437	AB504 23, 27	
AB/HM940753	AB134-510	AB50528	
AB/HM940954	AB13537	AB50644	
AB/HM941055	AB13621	AB50744	
AB0019, 20, 40	AB136-221	AB50844	
AB00232	AB136-321	AB509 13	
AB00325	AB13721	AB60145	
AB004 32, 39	AB13838	AB602 12, 23	
AB00532	AB13938	AB60345	
AB006 9	AB20138	AB60445	
AB00832	AB20238	AB60545	
AB0099, 25	AB203 41	AB60645	
AB0109, 25	AB204 41	AB6146	
AB02032	AB205-139	AB6246	
AB02125	AB205-239	AB6347	
AB02232	AB206 11	AB6447	
AB02320	AB207-139	AB65-1 9	
AB02520	AB207-239	AB6646	

Backbands:

AB61.....46
 AB62.....46
 AB63.....47
 AB64.....47
 AB65-1.....9
 AB808BB.....6
 AB96-1.....47

Baseboards:

1 X 6.....40
 AB/HM9201.....48
 AB/HM9202.....49
 AB/HM9203.....50
 AB/HM9204.....51
 AB/HM9205.....7
 AB/HM9205-5.....7
 AB/HM9206.....52
 AB/HM9207.....53
 AB/HM9209.....54
 AB/HM9210.....55
 AB128.....26
 AB203.....41
 AB204.....41
 AB205-1.....39
 AB206.....11
 AB207-2.....39
 AB208.....39
 AB209.....39
 AB210-2.....40
 AB212-1.....11
 AB212-7.....12
 AB219.....12, 22, 26
 AB301.....25
 AB810.....6
 AB812.....6
 AB705.....12

Beads:

AB86.....18
 AB87.....46

Casings:

AB/HM9101.....48
 AB/HM9102.....49
 AB/HM9103.....50
 AB/HM9104.....51
 AB/HM9105.....7
 AB/HM9105-3.....7
 AB/HM9106.....52
 AB/HM9107.....53
 AB/HM9109.....54
 AB/HM9110.....55
 AB101.....33
 AB102.....33
 AB103.....33

AB104.....33
 AB105.....33
 AB106.....34
 AB107.....34
 AB108.....34
 AB110.....15
 AB110-2.....15
 AB110Bead.....15
 AB111.....15
 AB111-7.....15
 AB112.....34
 AB113.....34
 AB114.....34
 AB116.....35
 AB118.....35
 AB121.....35
 AB123.....35
 AB124.....36
 AB125.....36
 AB126.....36
 AB127.....36
 AB129.....26
 AB130.....36
 AB131.....36
 AB132.....10
 AB132-2.....10
 AB132-4.....10
 AB133.....37
 AB134.....37
 AB134-5.....10
 AB135.....37
 AB136.....21
 AB136-2.....21
 AB136-3.....21
 AB137.....21
 AB138.....38
 AB139.....38
 AB201.....38
 AB202.....38
 AB808.....6
 AB809.....6
 AB907.....18
 AB909.....18
 AB115.....35

Chair Rails:

AB/HM9301.....48
 AB/HM9302.....49
 AB/HM9303.....50
 AB/HM9304.....51
 AB/HM9305.....7
 AB/HM9306.....52
 AB/HM9307.....53
 AB/HM9309.....54
 AB/HM9310.....55
 AB302.....41

AB303.....9
 AB304.....41
 AB305.....41
 AB307.....41
 AB308.....41
 AB309.....41
 AB310.....26
 AB311.....22
 AB311-2.....41
 AB311-3.....22
 AB311-BN.....41
 AB402.....16
 AB402-4.....16

Crowns:

AB/HM9401.....48
 AB/HM9402.....49
 AB/HM9404.....51
 AB/HM9405.....7
 AB/HM9406.....52
 AB/HM9407.....53
 AB/HM9409.....54
 AB/HM9410.....55
 AB401.....42
 AB402-6.....17
 AB403.....42
 AB404.....42
 AB405.....28
 AB406.....42
 AB407.....43
 AB408.....13
 AB409.....17
 AB410.....43
 AB501.....23
 AB501-4.....23
 AB502.....44
 AB503.....27
 AB504.....23, 27
 AB505.....28
 AB506.....44
 AB507.....44
 AB508.....44
 AB509.....13
 AB601.....45
 AB602.....12, 23
 AB603.....45
 AB604.....45
 AB605.....45
 AB606.....45
 AB802-4.....6
 AB802-5.....6
 AB802-6.....6
 AB/HM9403-1.....50
 AB/HM9403-2.....50

Crown Extenders:

AB81.....47
 AB82.....18
 AB83.....47
 AB84-4.....18
 AB85.....47

Nickel Gap:

ABNick6.....6, 29
 ABNick8.....6, 29

Plinths:

AB66.....46
 AB67.....46
 AB68-3.....22
 AB68-4.....22

Shoes / Panels / Caps:

AB001.....9, 20, 40
 AB002.....32
 AB003.....25
 AB004.....32, 39
 AB005.....32
 AB006.....9
 AB008.....32
 AB009.....9, 25
 AB010.....9, 25
 AB020.....32
 AB021.....25
 AB022.....32
 AB027.....20
 AB027-2.....32
 AB028.....20, 40
 AB109.....20
 AB205-2.....39
 AB207-1.....39
 AB207-3.....39
 AB210-1.....40
 AB211.....40:
 AB8-Cap.....6
 AB023.....20
 AB025.....20
 AB026.....25, 40
 AB/HM9203-2.....50
 AB/HM9205-2.....7
 AB026.....40

Sill:

ABSILL.....47

Stool:

AB69.....11, 16

Wainscot:

AB76.....11, 29



Stock Mouldings

Discover the timeless beauty and versatility of our stock collections. Each profile is meticulously crafted from high-quality, gesso primed finger joint pine. Our gesso primer offers you a superior foundation for your interior design projects, providing a smooth and elegant plaster-like surface coating that's ready for paint. While Gesso is primarily intended for interior use, it can also withstand exterior applications in covered porches and sunrooms, allowing you to extend your design ideas to outdoor spaces. Check out highlights from each collection below to see which will be the best fit for your next project:

Classic: Time-tested designs that exude elegance, adding a touch of tradition.

Contemporary: Sleek profiles for a contemporary look that complement modern interiors.

Colonial: Quintessential New England charm with patterns that bring a sense of nostalgia.

Coastal: Endless beach wave vibes, enhancing a relaxing décor.

Clean Lines: Crisp and simple details, revealing understated charm.

While these stock mouldings come in primed finger joint pine, we understand that your design vision may call for a different wood species. Our mouldings can be manufactured in any type of wood species as special orders. Popular examples include oak, poplar, flex pvc moulding.

Please don't hesitate to reach out to our expert team for any inquiries or to place a special order.

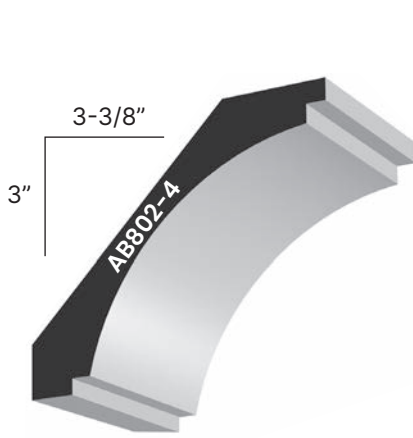


Contemporary

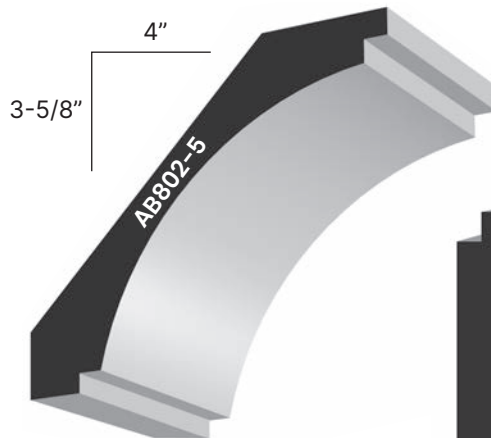
collection

Crafted with precision and an eye for detail, each moulding in this Contemporary Collection embraces the warm and inviting character of the modern farmhouse, celebrating the rustic textures, natural materials, and comforting ambiance. At the same time, they draw from the unadorned elegance of the Craftsman style, creating a seamless blend of the two design philosophies. From shiplap-inspired baseboards to crown mouldings with subtle geometric patterns, this collection will effortlessly enhance your home's interior with a contemporary touch.

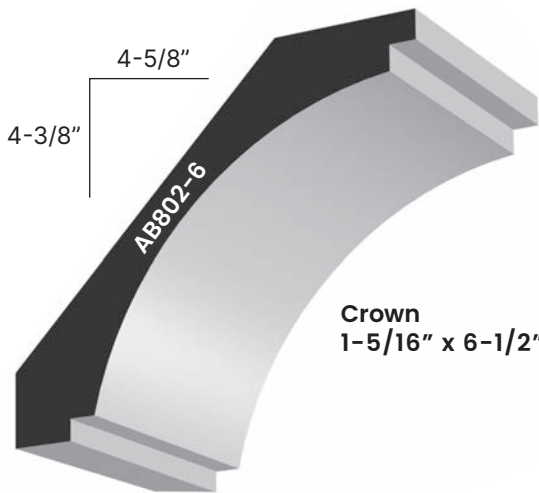
STOCK MOULDINGS



Crown
3/4" x 4-1/2"



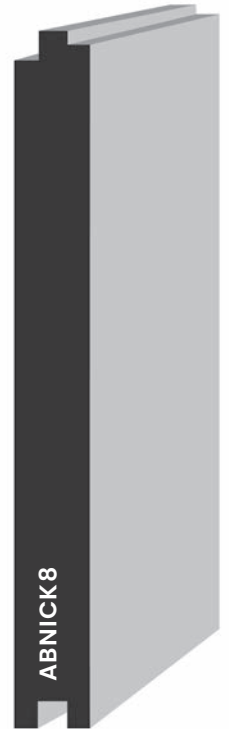
Crown
1-1/8" x 5-1/2"



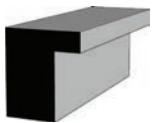
Crown
1-5/16" x 6-1/2"



Nickel Gap
3/4" x 5-1/2"
Exterior Gesso Primer



Nickel Gap
3/4" x 7-1/4"
Exterior Gesso Primer



AB808BB
Back Band
15/16" x 1"



AB8-CAP
Panel/Cap
11/16" x 3/4"



AB808
Casing
11/16" x 3-1/2"



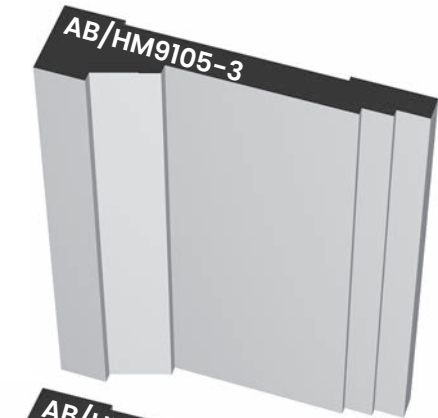
AB809
Casing
11/16" x 4-1/2"



AB810
Base
11/16" x 5-1/2"



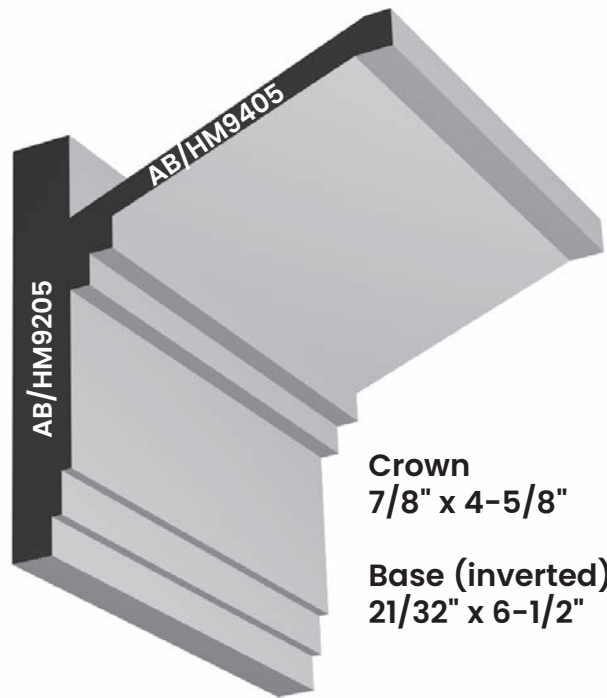
AB812
Base
11/16" x 7-1/4"



Casing
13/16" x 3-1/2"

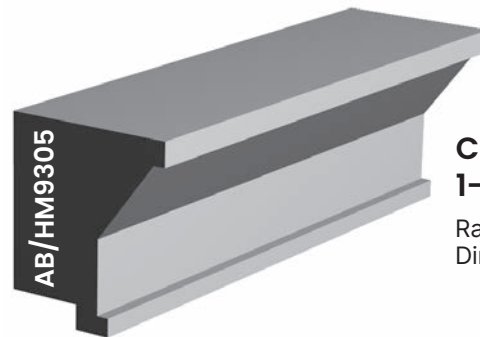


Casing
1" x 4-15/32"



Crown
7/8" x 4-5/8"

Base (inverted)
21/32" x 6-1/2"



Chair Rail
1-3/4" x 2"

Rabbet
Dimension: 3/4"



Base
21/32" x 6-1/2"

Shoe 1/2" x 1"



Base
21/32" x 5"

Shoe 1/2" x 1"

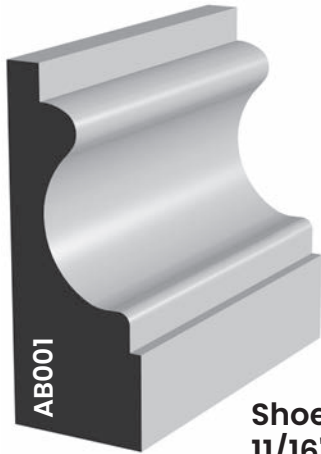


Colonial

collection

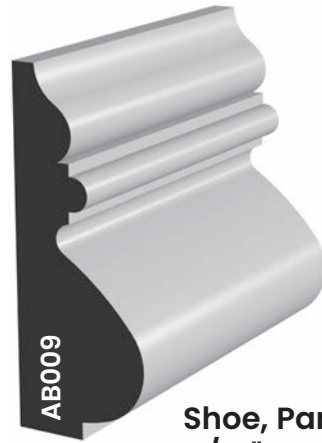
Imbued with a sense of history and heritage, our Colonial Collection pays homage to the timeless architectural elements that have graced elegant homes throughout the centuries, capturing the essence of early American craftsmanship. Whether you are renovating a historic property or seeking to infuse your contemporary space with a touch of heritage, these mouldings effortlessly complement various design aesthetics.





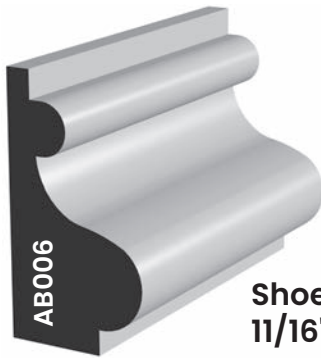
AB001

Shoe, Panel or Cap
11/16" x 1-7/8"



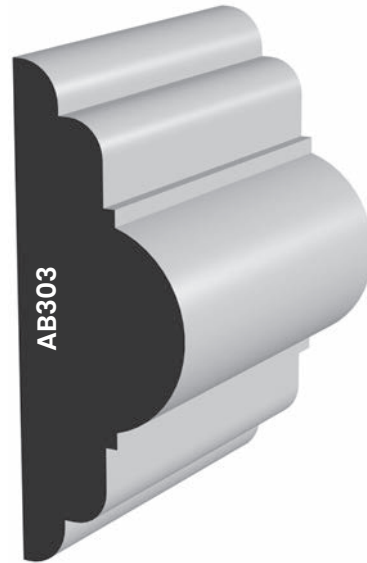
AB009

Shoe, Panel or Cap
11/16" x 1-7/8"



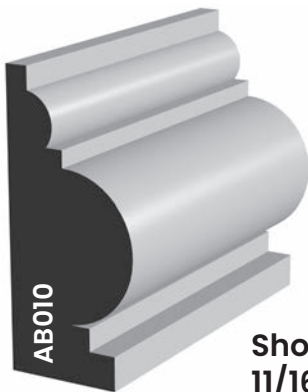
AB006

Shoe, Panel or Cap
11/16" x 1-3/8"



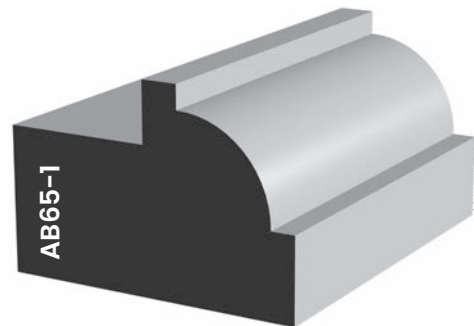
AB303

Chair Rail/Ceiling Mould
15/16" x 2-1/2"



AB010

Shoe, Panel or Cap
11/16" x 1-5/8"



AB65-1

Backband
1-1/16" x 1-9/16"

Rabbet Dimensions:
P = 3/4" / PFJ = 21/32"

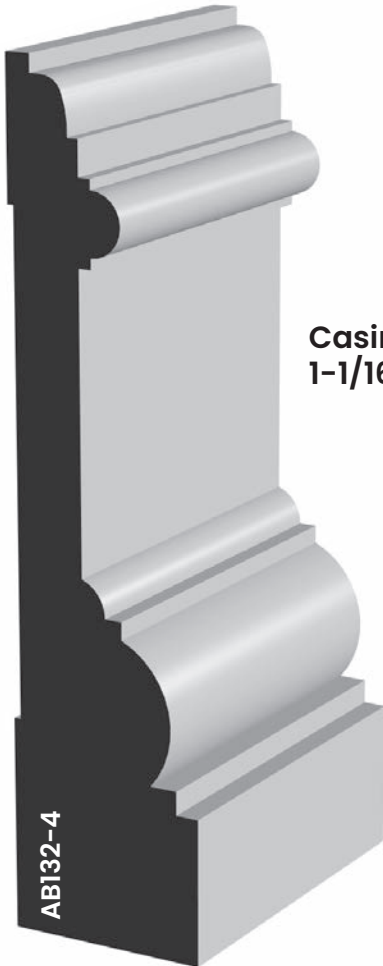
STOCK MOULDINGS



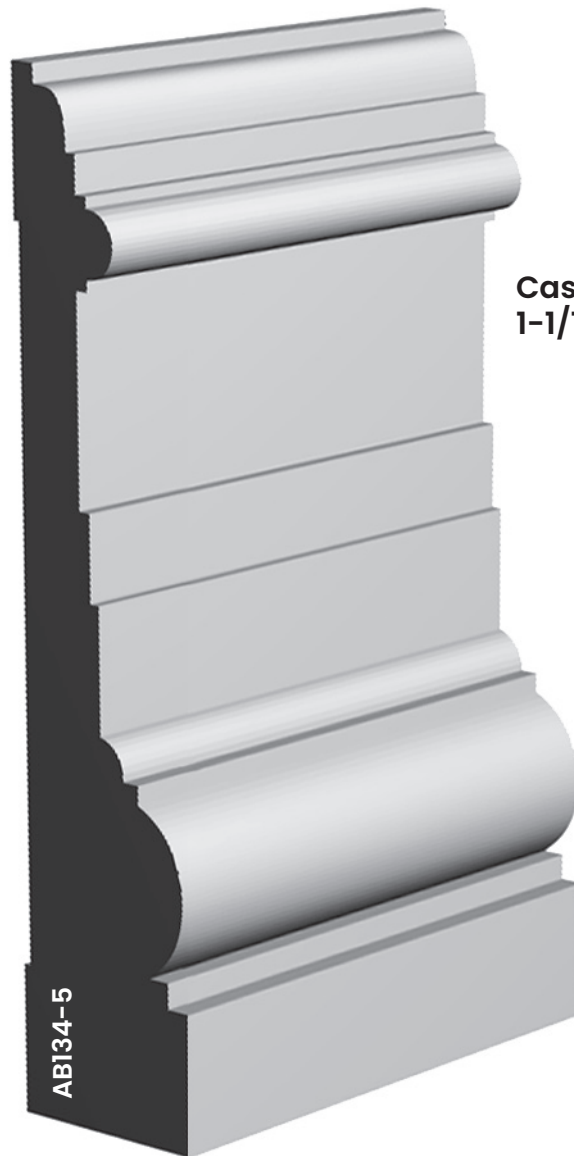
Casing
1-1/16" x 3-5/8"



Casing
11/16" x 2-1/2"



Casing
1-1/16" x 4-1/2"



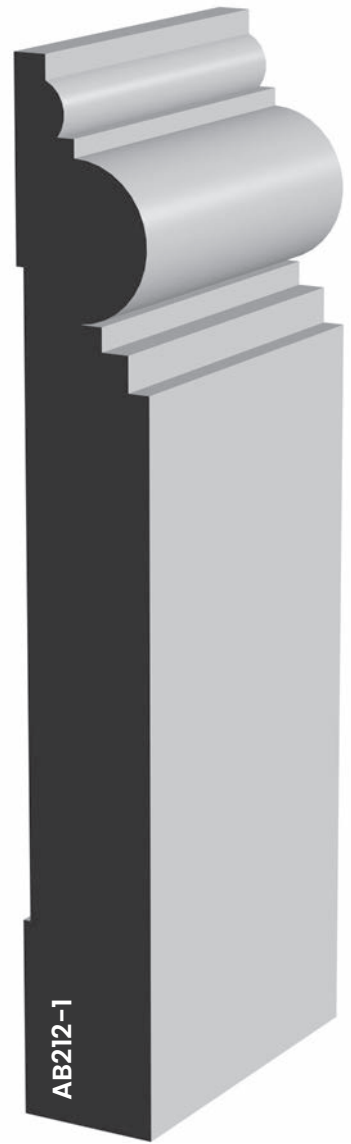
Casing
1-1/16" x 5-1/2"



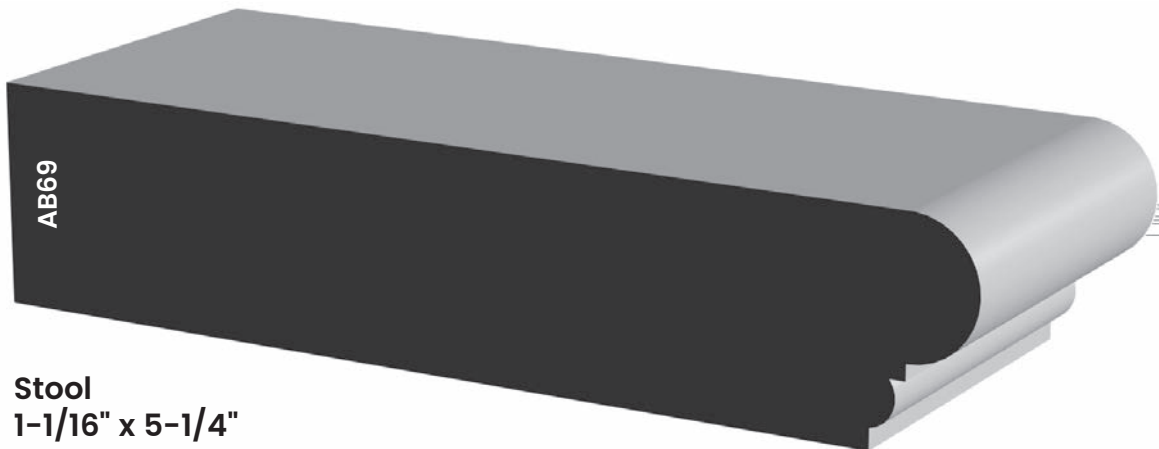
Wainscot
3/8" x 3-1/2"



Baseboard
11/16" x 4-1/2"



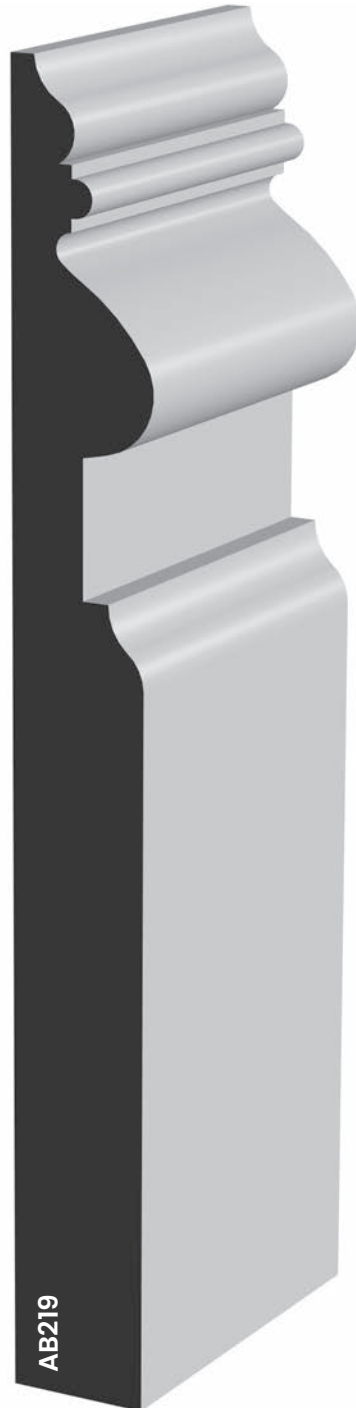
Baseboard
11/16" x 5-1/2"



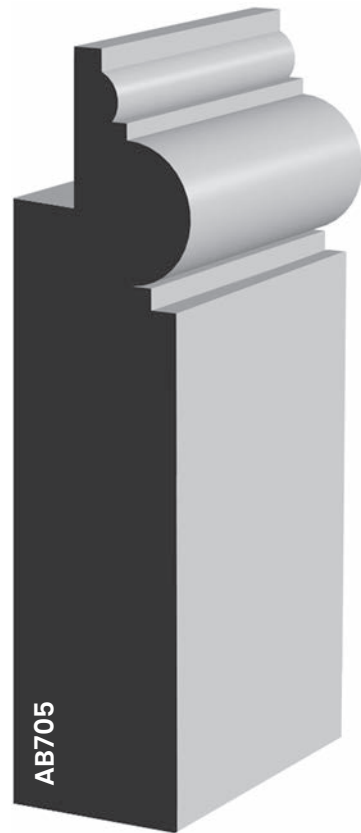
Stool
1-1/16" x 5-1/4"



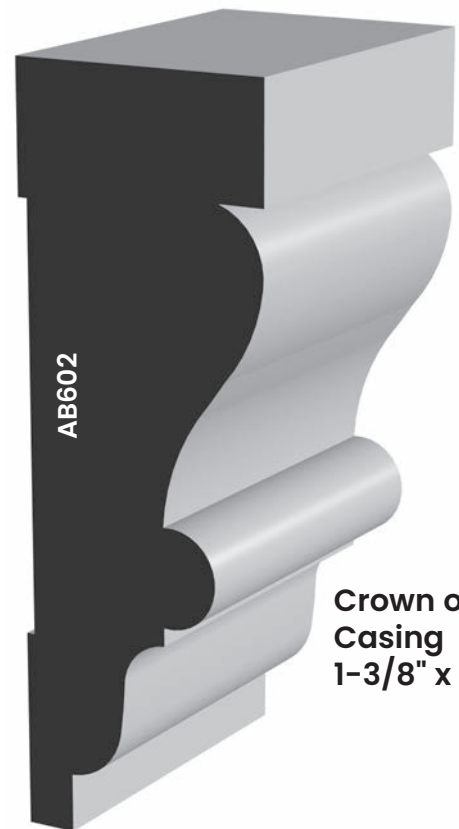
Baseboard
1 1/16" x 7"



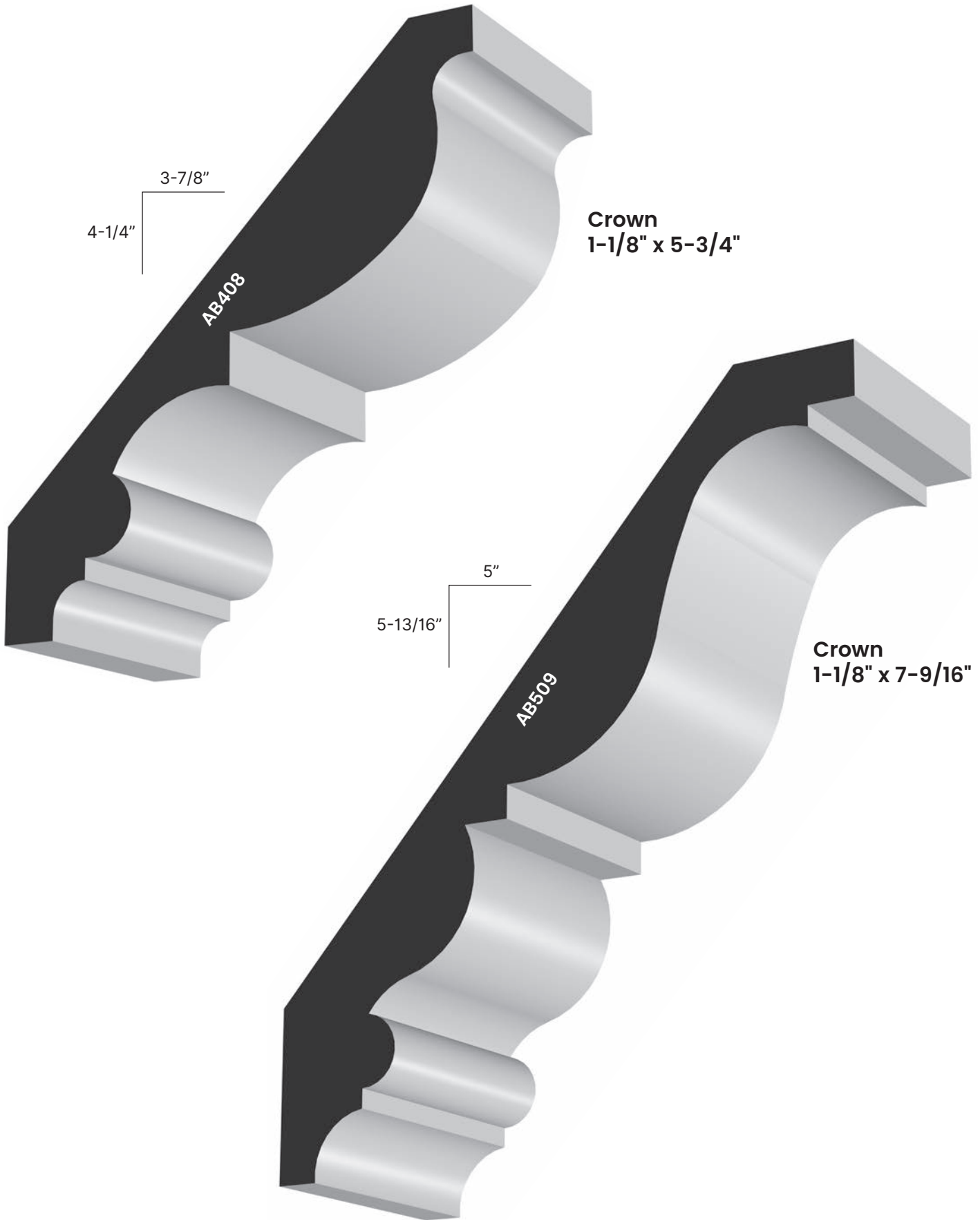
Baseboard
1 1/16" x 7"



Rabbeted Base
27/32" x 4"



**Crown or
Casing**
1-3/8" x 4"



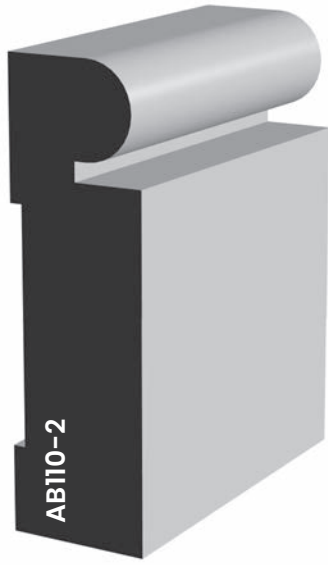


Clean Lines

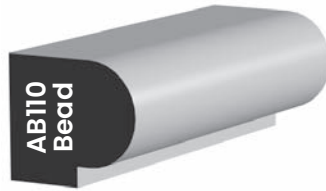
collection

Emphasizing the principle of less is more, our Clean Lines Collection features sleek and uncluttered profiles that seamlessly blend into any architectural design. The clean lines of these mouldings create a sense of balance and harmony, allowing your decor and furnishings to take center stage while providing a subtle yet impactful visual frame.





Casing
11/16" x 2-1/2"



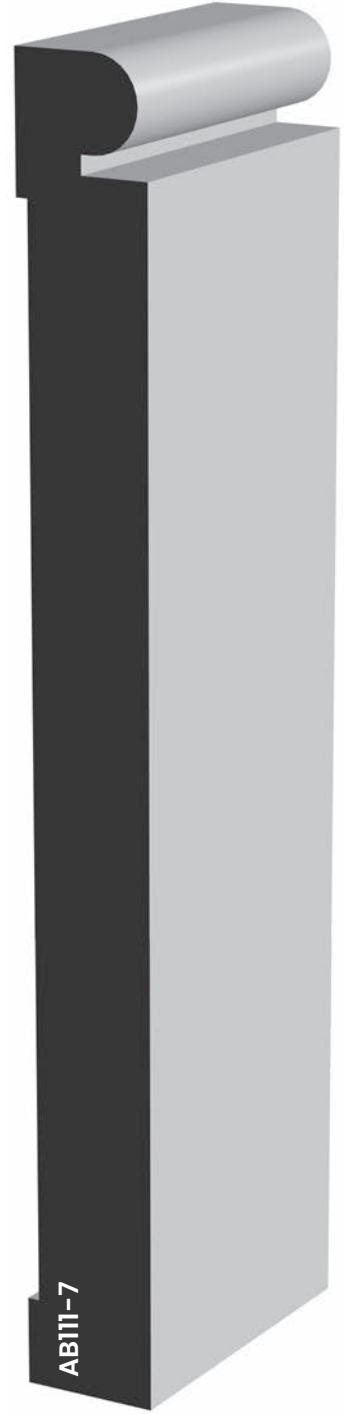
Bead
5/8" x 5/8"



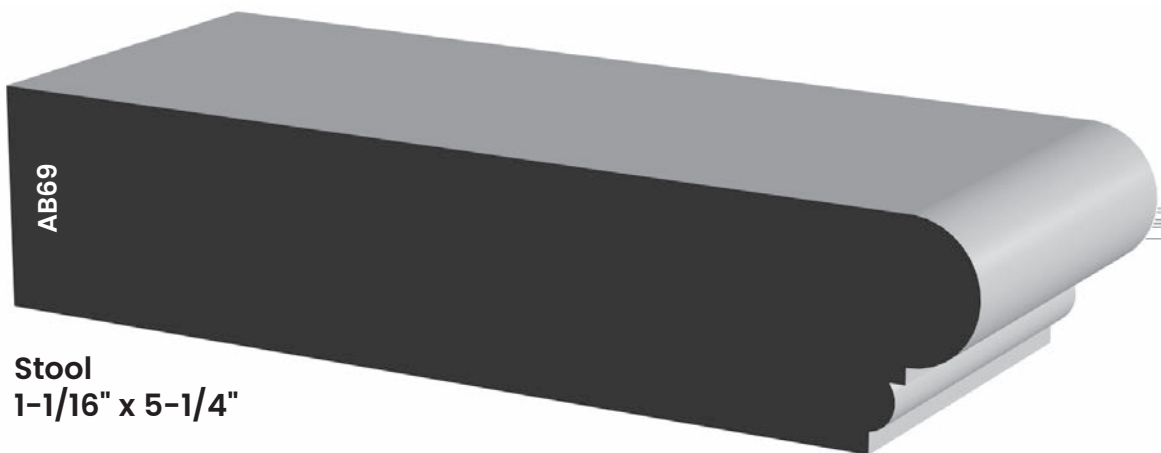
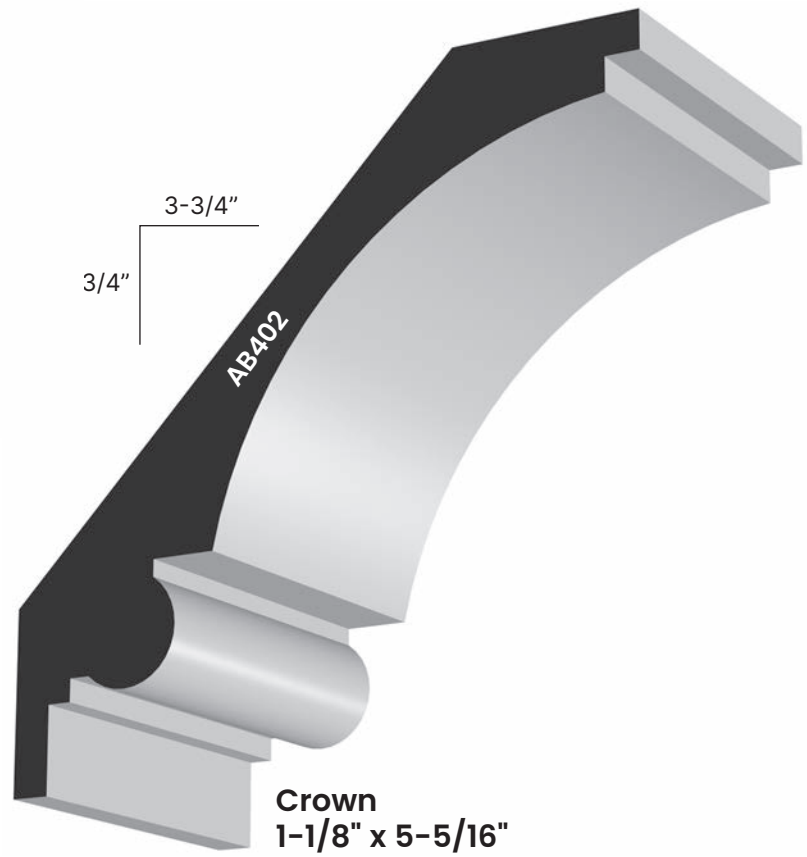
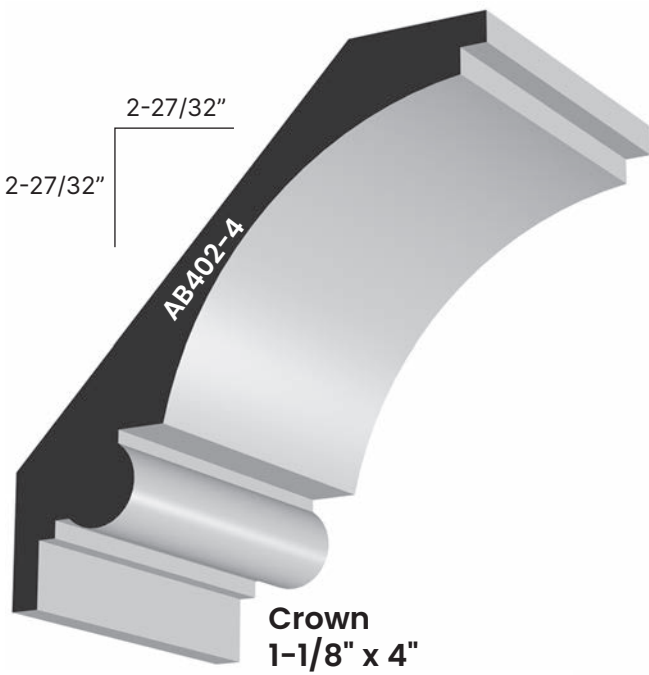
Baseboard
11/16" x 5-1/2"

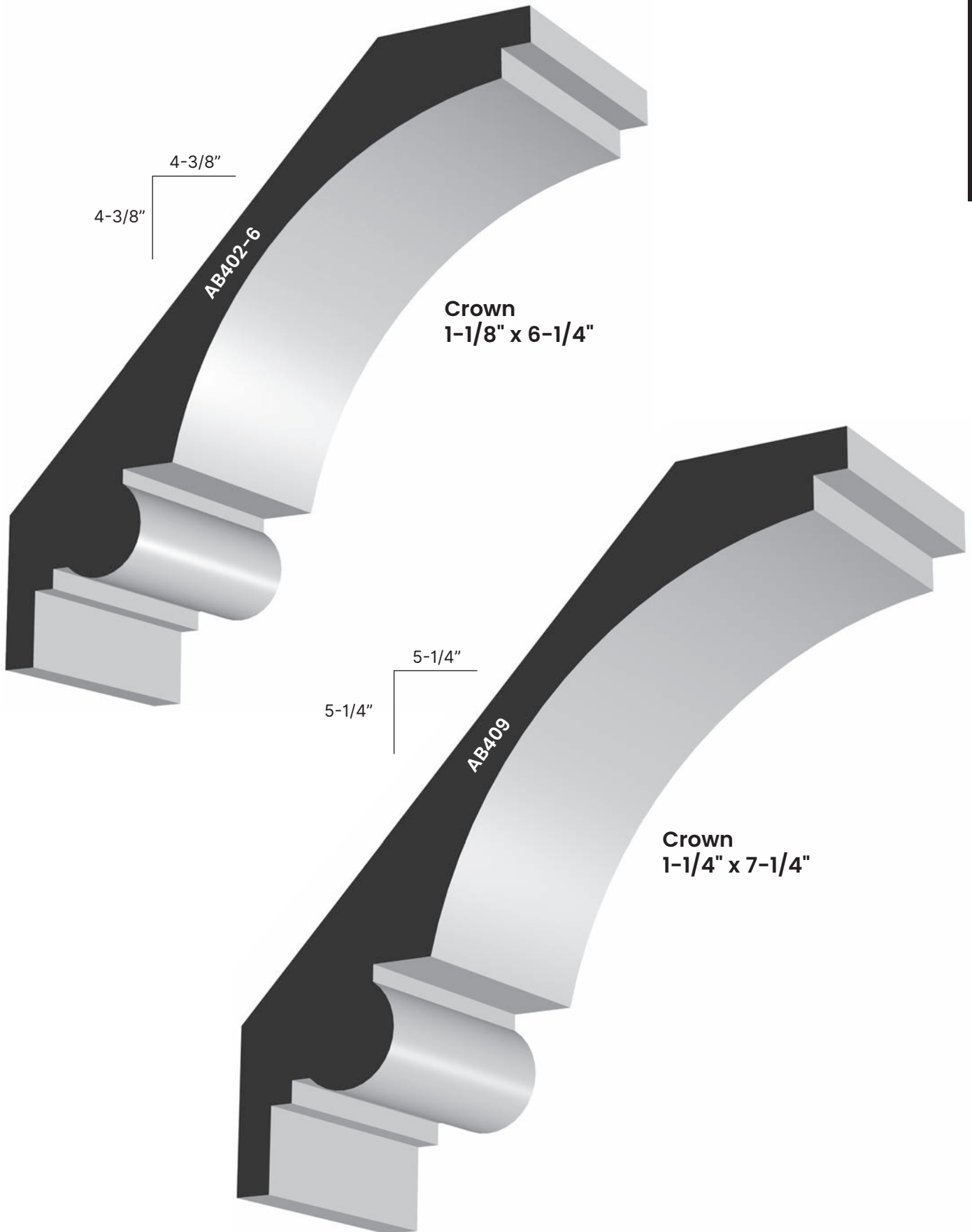


Casing
11/16" x 3-1/2"

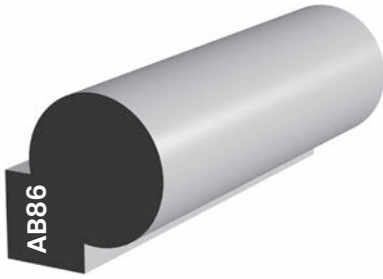


Baseboard
11/16" x 7"





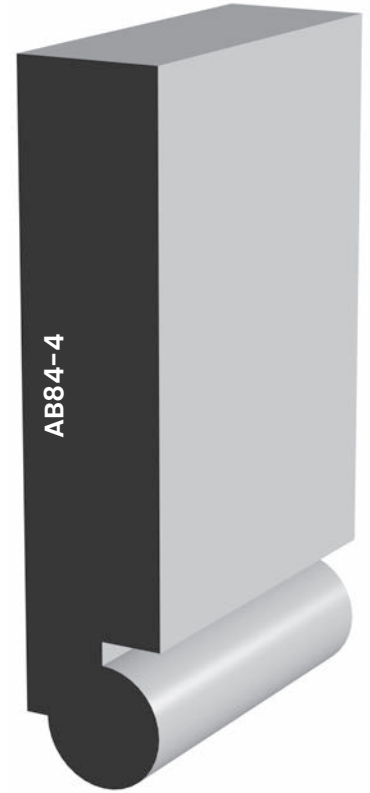
STOCK MOULDINGS



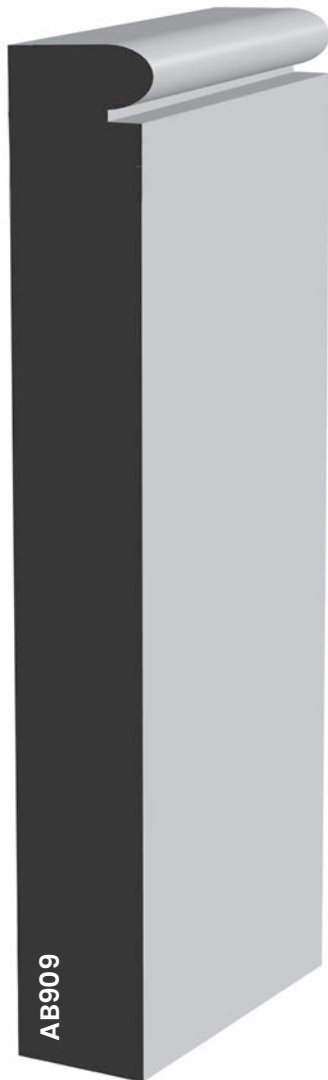
Bead
3/4" x 3/4"



Crown Extender
11/16" x 3"



Crown Extender
11/16" x 3-1/2"



Casing
3/4" x 5-1/4" x 18'



Casing
3/4" x 3-1/2" x 17'

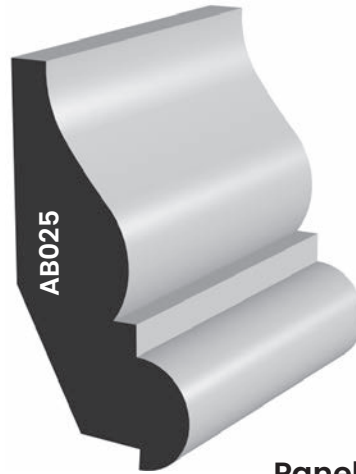


Classic collection

Inspired by the grace and refinement of traditional craftsmanship, our Classic Collection exudes an air of understated elegance. These timeless profiles with delicate curves hark back to an era of grandeur and sophistication, while modern influences infuse the collection with versatility and adaptability.



Panel or Cap
1-1/8" x 2-7/8"
Rabbet Dimension: 5/8"



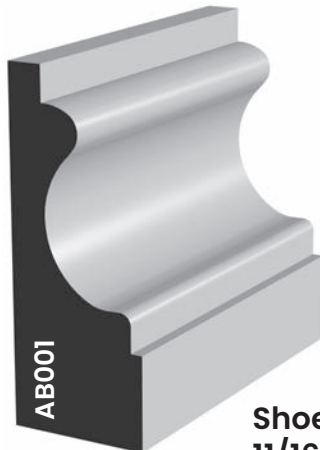
Panel or Cap
11/16" x 2-1/16"
Rabbet Dimension: 3/4"



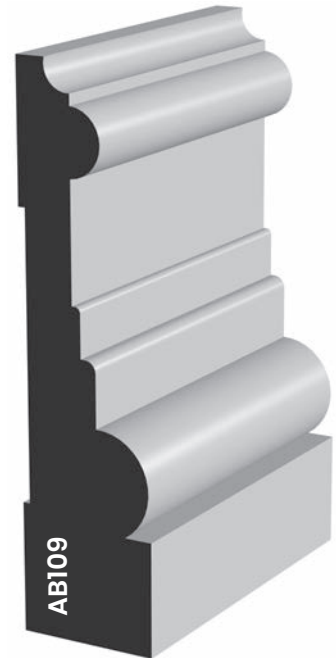
Shoe, Panel or Cap
5/8" x 1"



Shoe, Panel or Cap
1/2" x 1"



Shoe, Panel or Cap
11/16" x 1-7/8"



Casing
11/16" x 3"



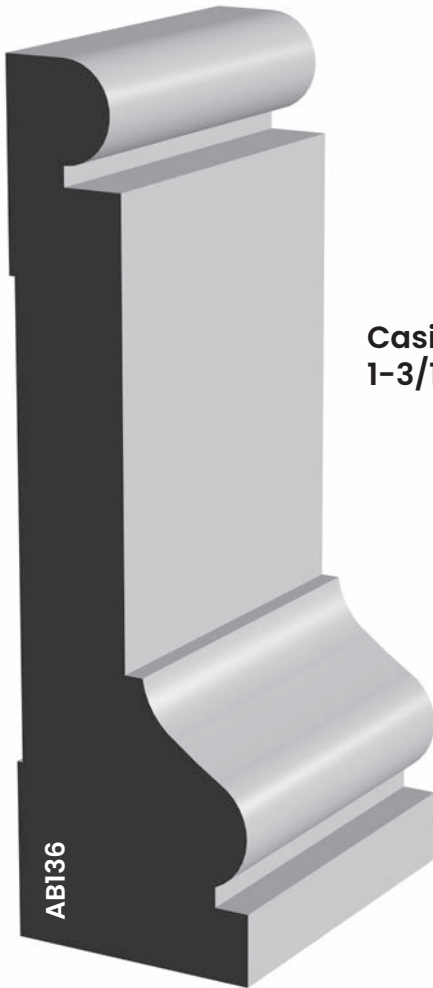
Casing
1-1/16" x 3-1/2"

AB136-3



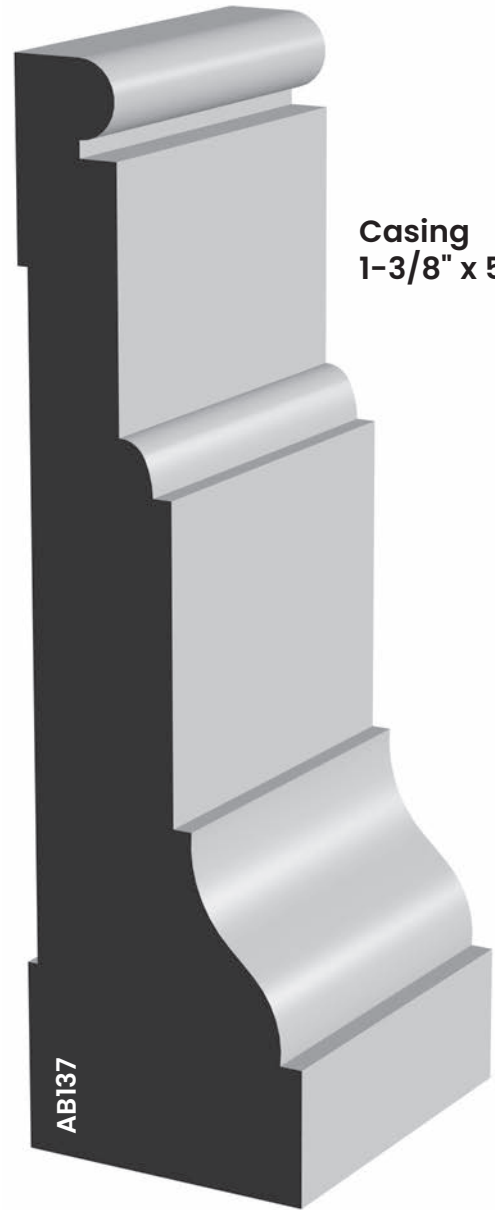
Casing
3/4" x 2-1/2"

AB136-2



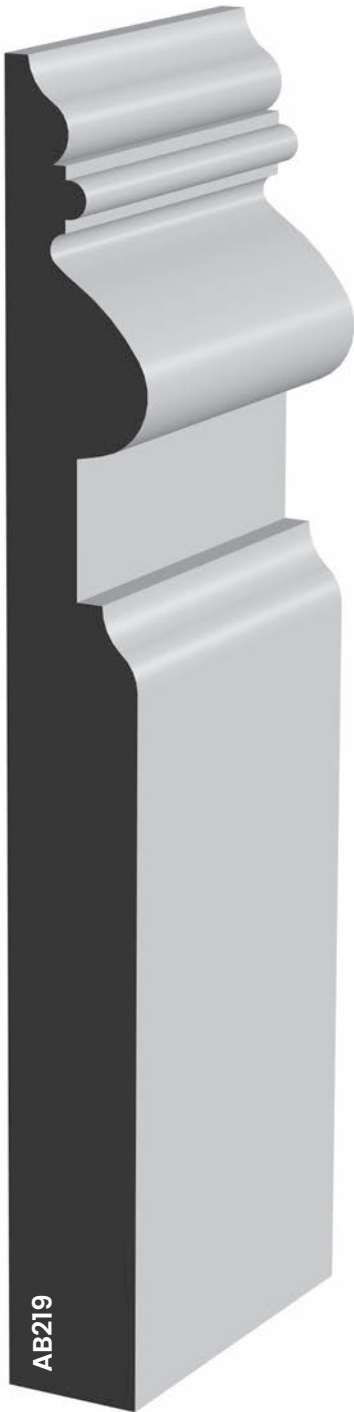
Casing
1-3/16" x 4-1/2"

AB136



Casing
1-3/8" x 5-1/2"

AB137

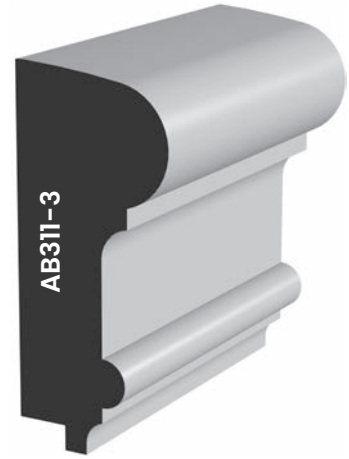


Baseboard
11/16" x 7"



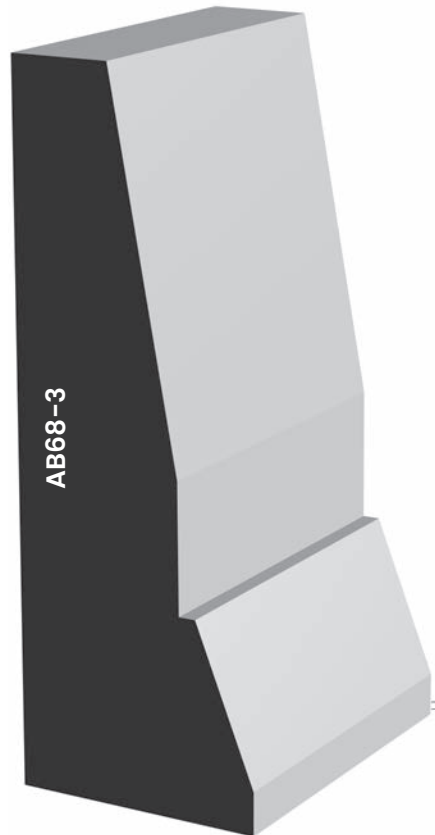
Chair Rail
1-5/16" x 2"

Rabbet Dimension: 3/4"

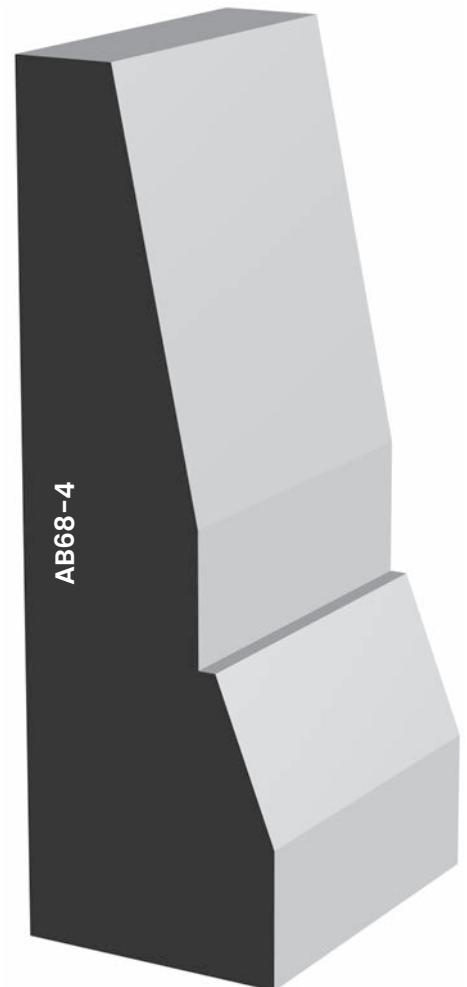


Chair Rail
13/16" x 2"

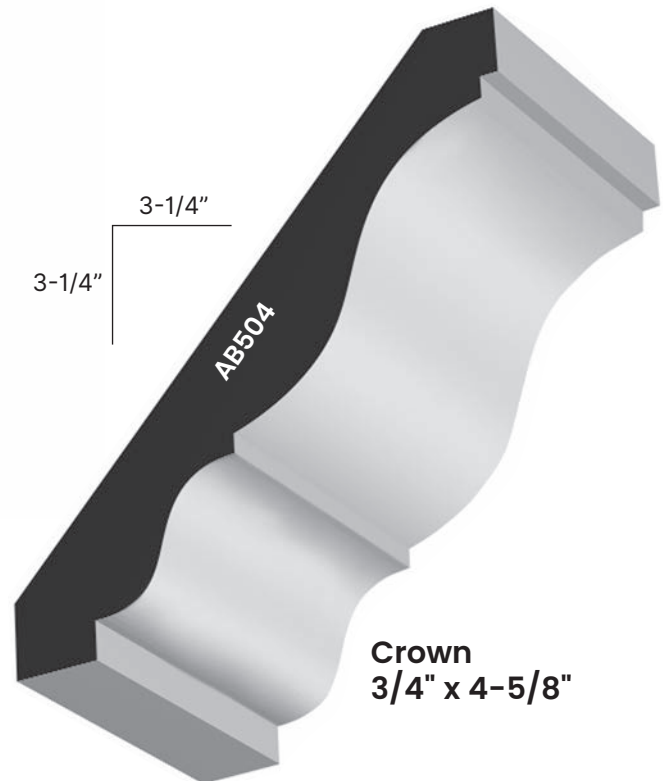
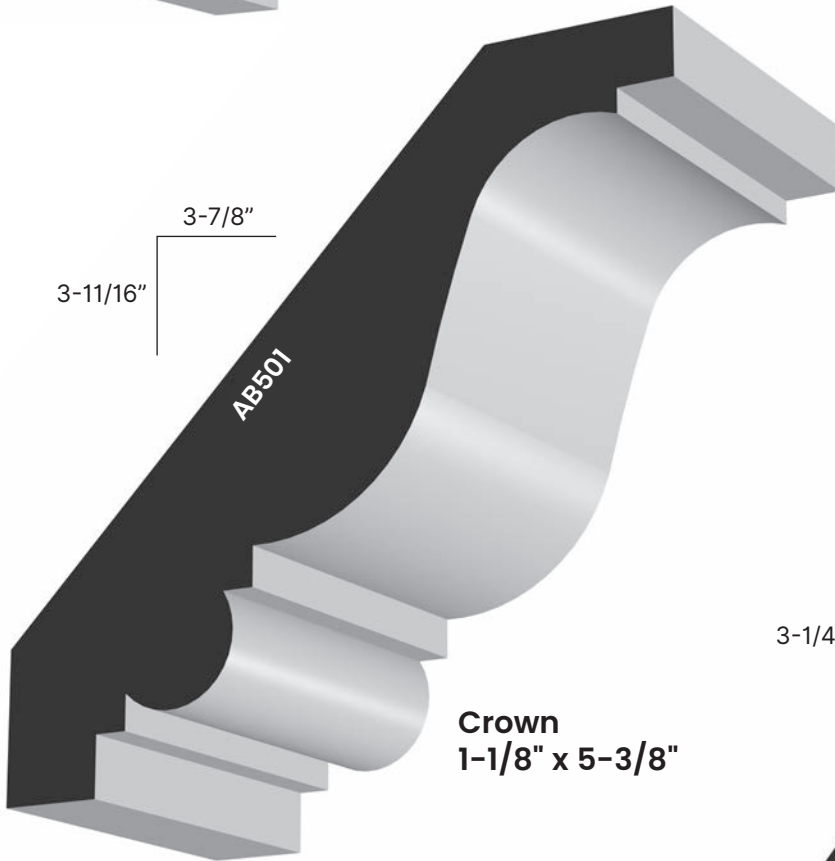
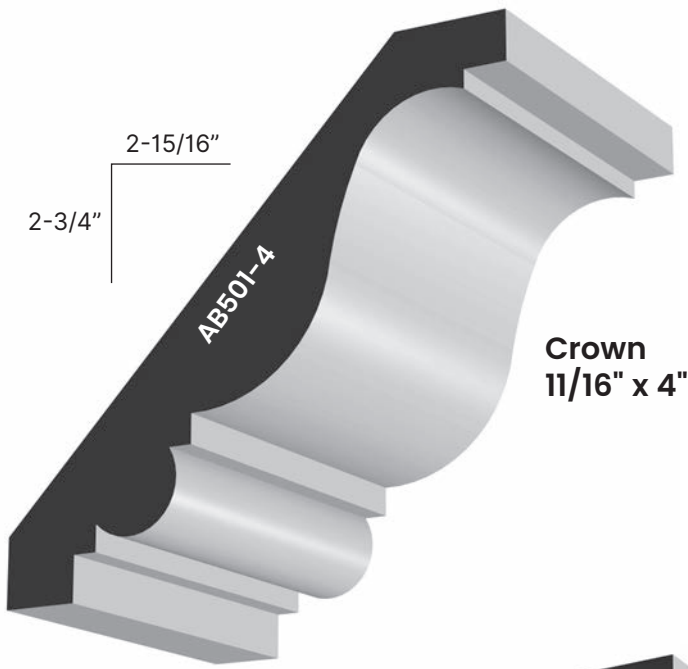
Rabbet Dimension: 1/4"



Plinth
1-3/8" x 3-7/8"



Plinth
1-3/8" x 4-3/4"



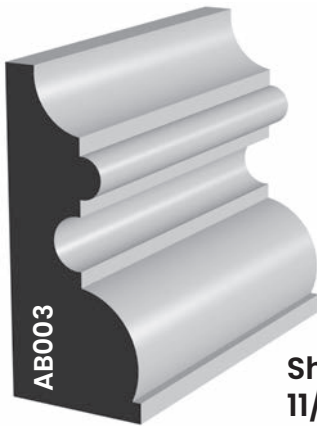


Coastal

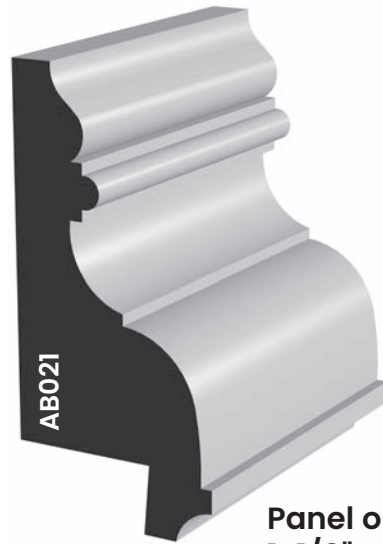
collection

Embrace the mesmerizing, graceful movements of the ocean waves.
Our Coastal Collection echoes the allure of rhythmic tides and
soothing seaside breezes. These mouldings will transform
any living space into a serene coastal retreat.

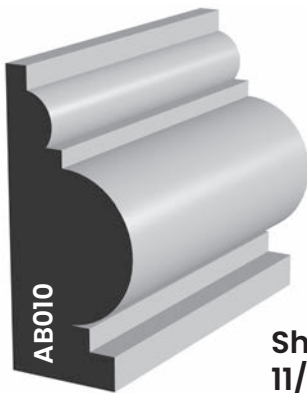




Shoe, Panel or Cap
11/16" x 1-3/4"



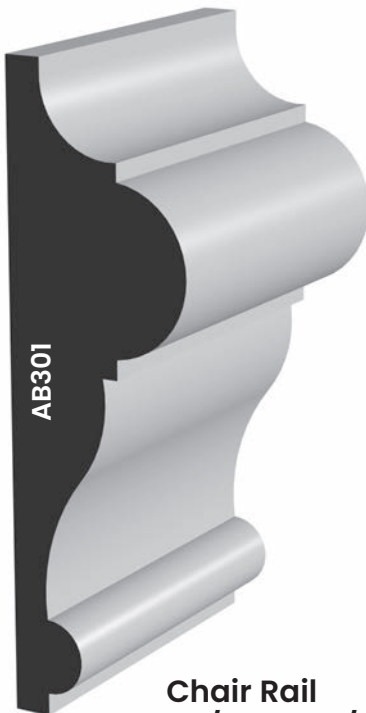
Panel or Cap
1-1/8" x 2-3/8"
Rabbit Dimension: 3/4"



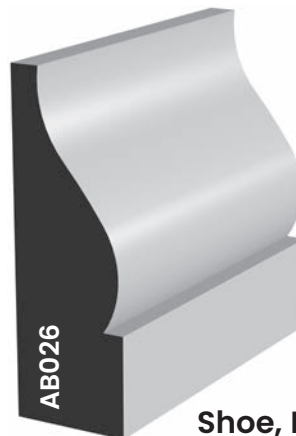
Shoe, Panel or Cap
11/16" x 1-5/8"



Shoe, Panel or Cap
11/16" x 1-7/8"



Chair Rail
1-1/16" x 3-1/2"

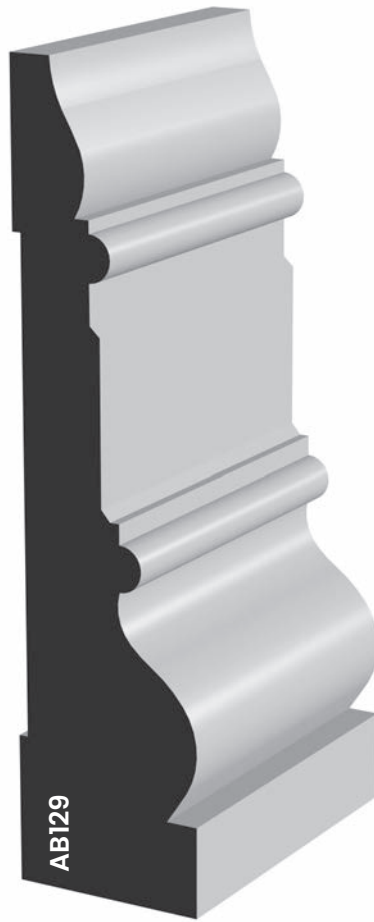


Shoe, Panel or Cap
5/8" x 1-13/16"



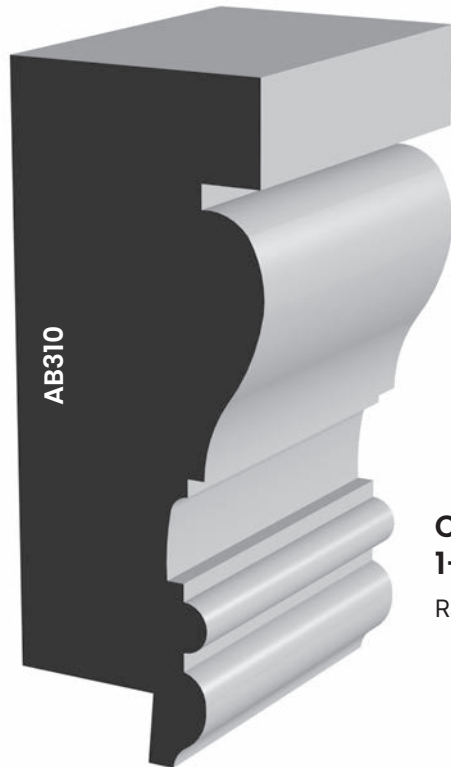
AB128

Casing
1 1/16" x 3-1/2"



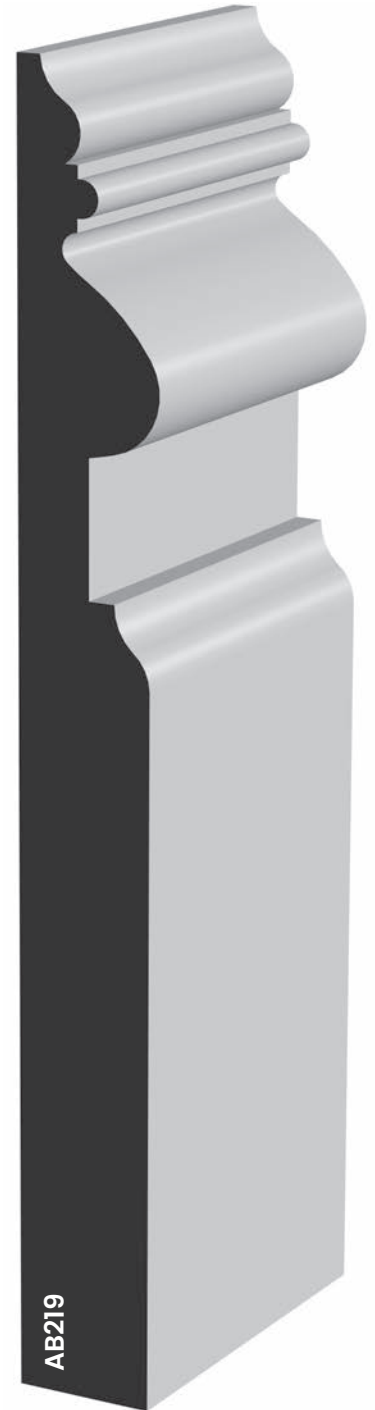
AB129

Casing
1-1/16" x 4-3/8"



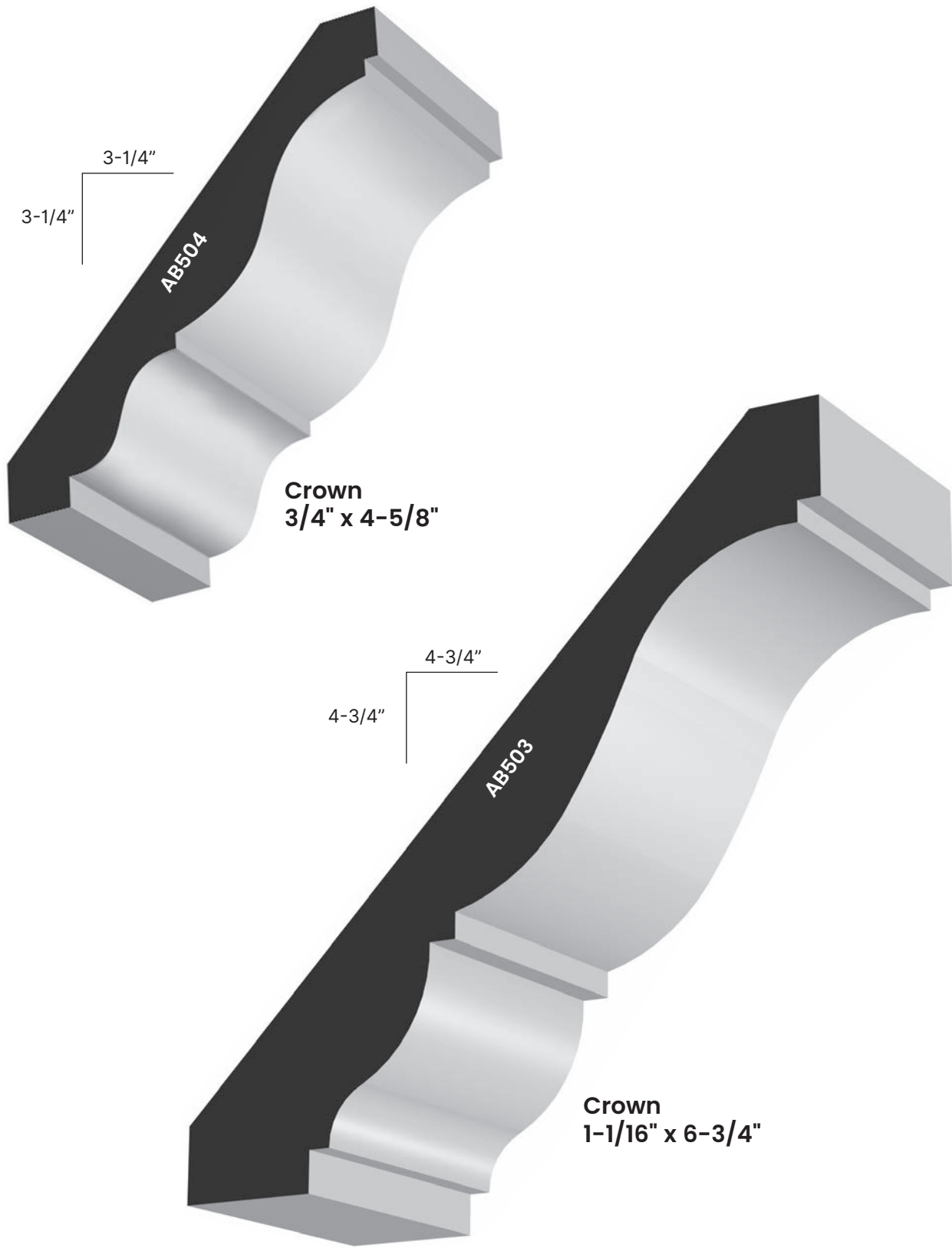
AB310

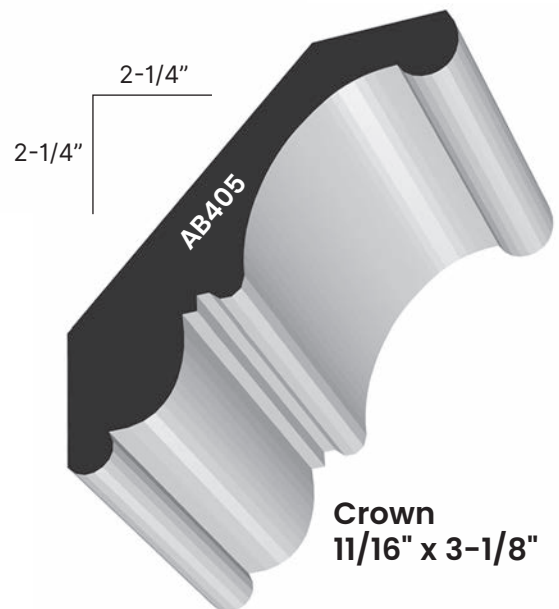
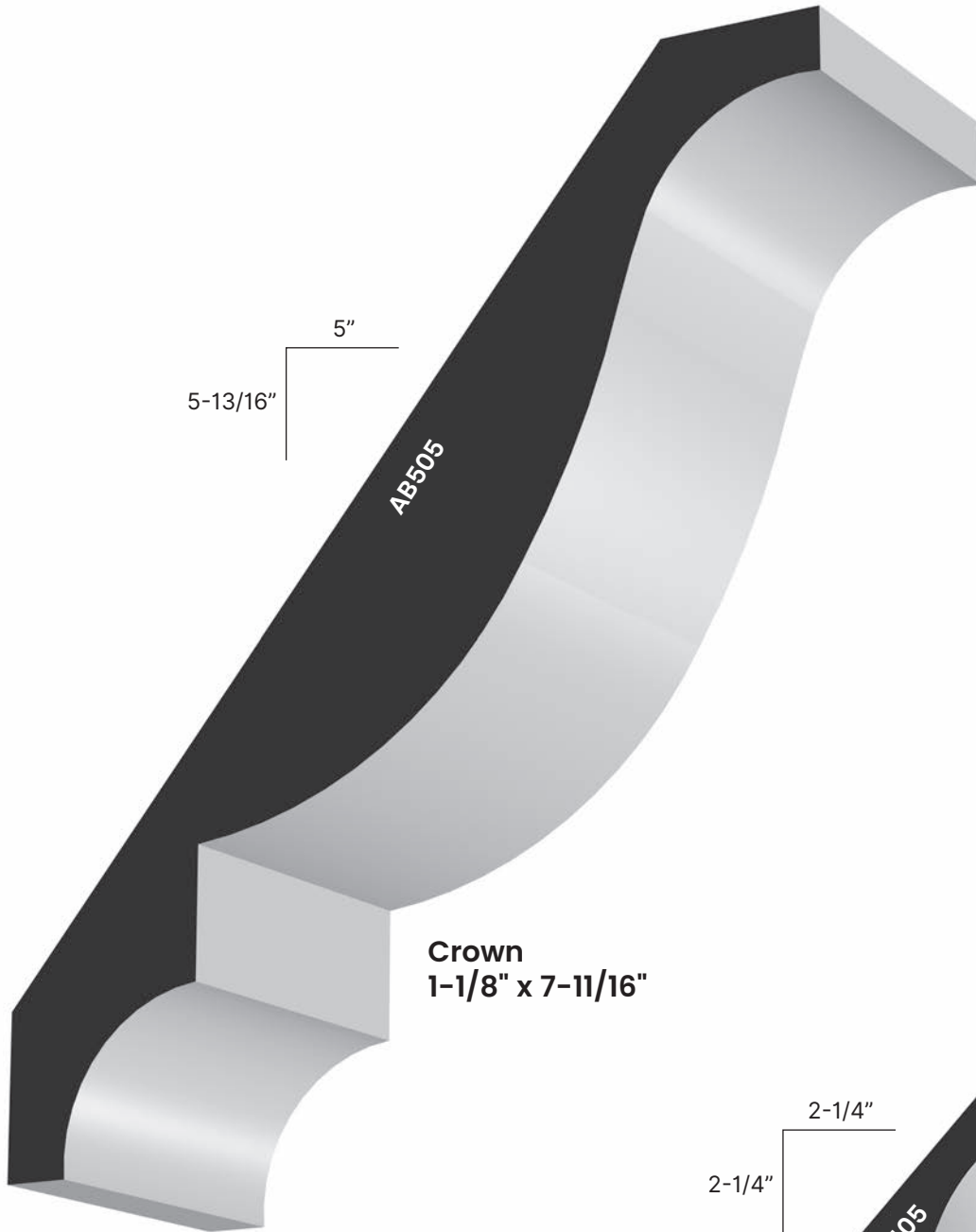
Chair Rail
1-3/8" x 3-1/2"
Rabbit Dimension: 3/4"

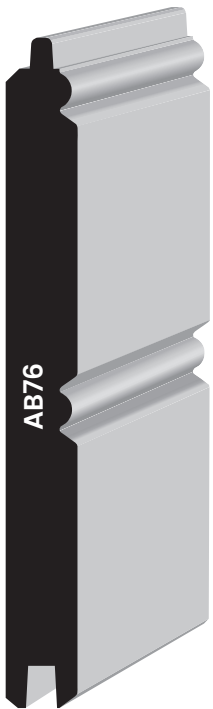


AB219

Baseboard
1 1/16" x 7"







Wainscot
3/8" x 3-1/2"



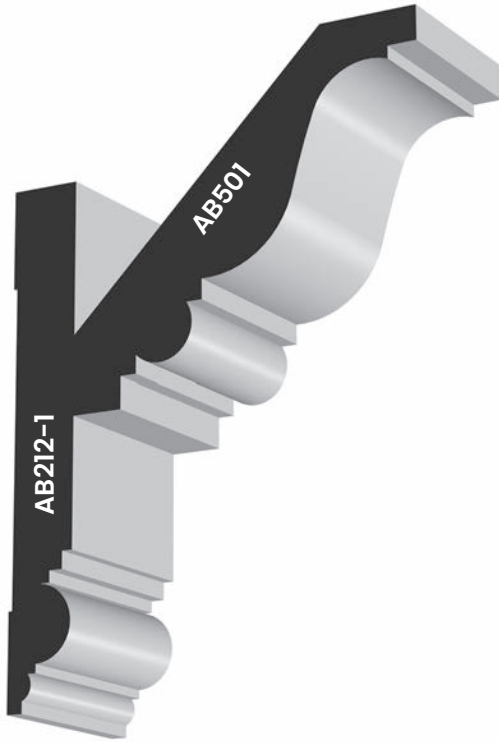
Nickel Gap
3/4" x 5-1/2"



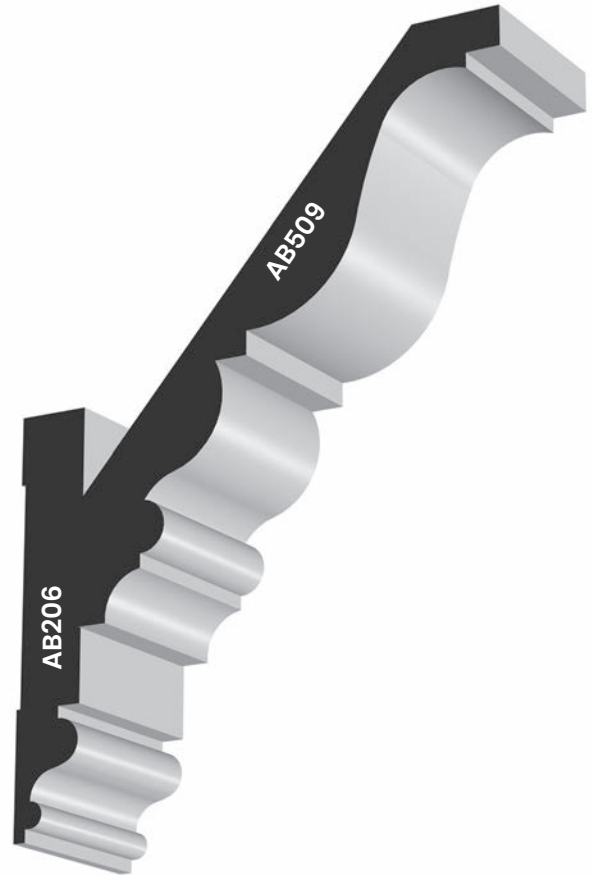
Nickel Gap
3/4" x 7-1/4"

Moulding Combinations

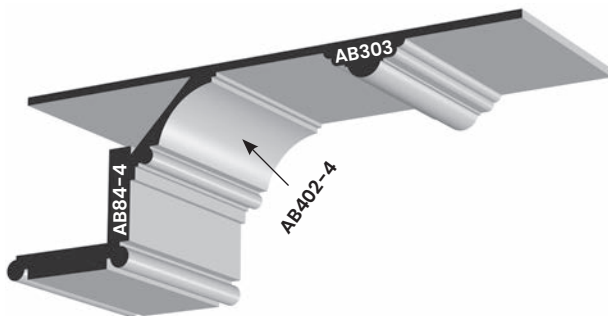
Mouldings are frequently combined to provide a larger composite profile, rendering a more pronounced look. Backbands provide additional depth to Casings, Base mouldings can be used to further enhance Chair Rails, and when inverted, can extend the look of a Crown detail. While the possible combinations are only limited by the imagination, we offer a few to illustrate the potential.



Crown Combination
AB212-1
AB501



Crown Combination
AB206
AB509



Coffered Ceiling Combination
AB84-4
AB402-4
AB303



Coffered Ceiling Combination
AB82
AB025



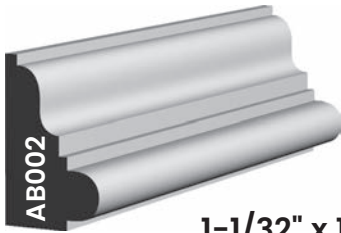
MDO

**MILLWORK
DESIGN**

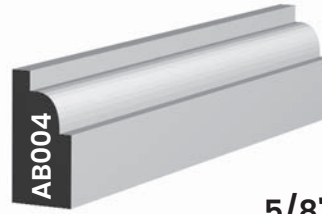
BY OXFORD

Special Order Mouldings

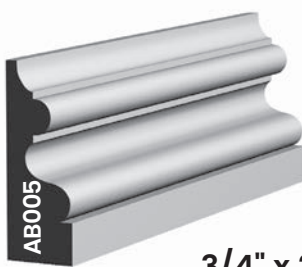
All special order profiles are made to order and are non-refundable. A minimum order of 100 linear feet is required. Typical lead time is 3 1/2 weeks. Please specify wood species and quantity when requesting a quote, and allow 24 hours for quoting.



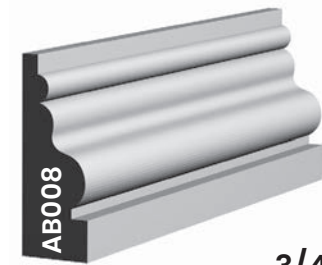
1-1/32" x 1-11/16"



5/8" x 1-1/4"



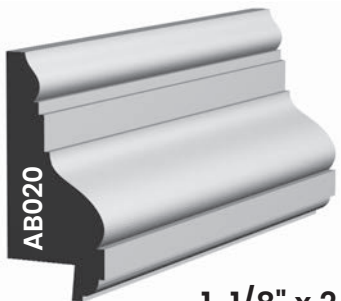
3/4" x 2-1/16"



3/4" x 2-1/16"



1/2" x 1-3/4"



1-1/8" x 2-7/8"



1-1/8" x 3-1/2"

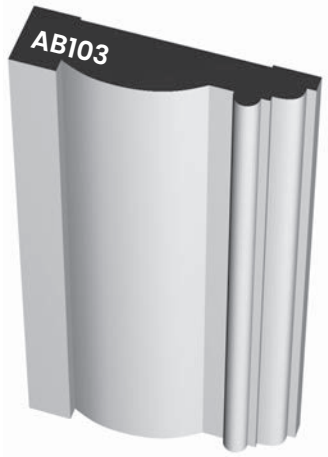
*Special Order Items are Available in ANY Species.
All items on this page are special order; lead time 3-1/2 weeks; priming and finishing available.



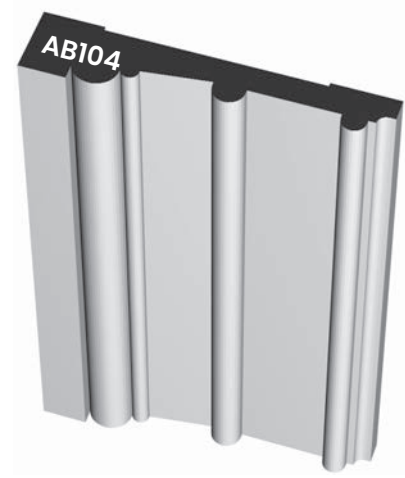
3/4" x 4-1/16"



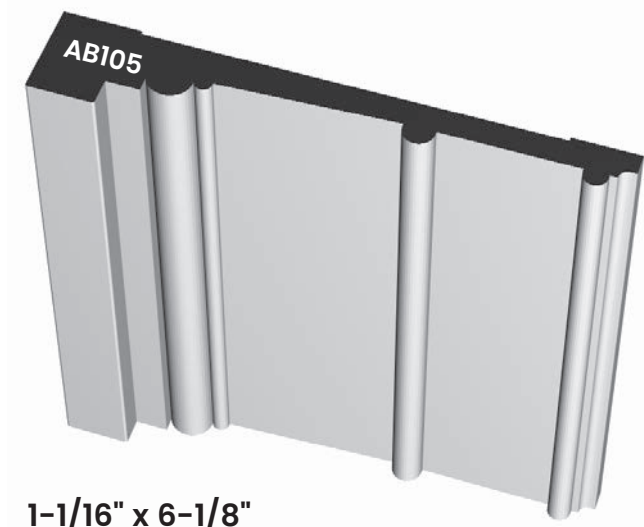
1" x 3-1/2"



3/4" x 3"



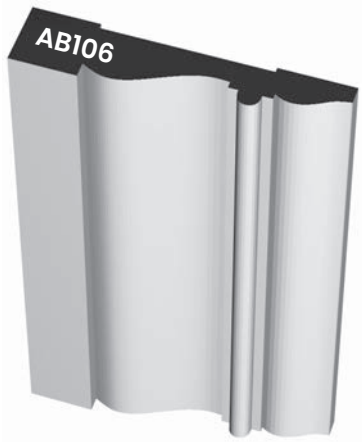
3/4" x 3-3/4"



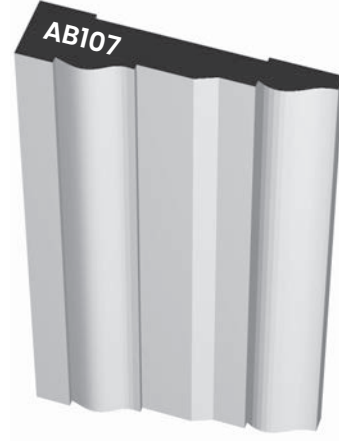
1-1/16" x 6-1/8"

*Special Order Items are Available in ANY Species.
All items on this page are special order; lead time 3-1/2 weeks; priming and finishing available.

SPECIAL ORDER



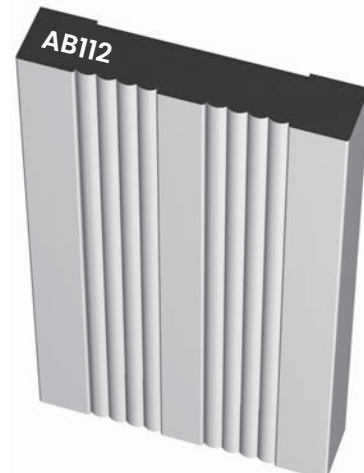
3/4" x 3-1/2"



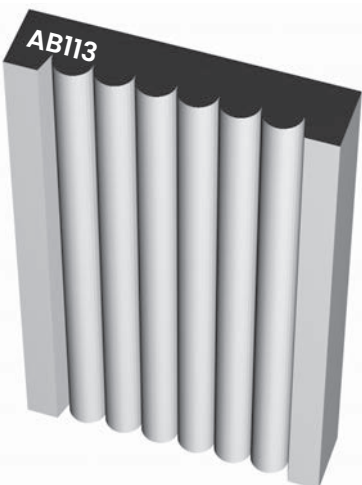
3/4" x 3-3/16"



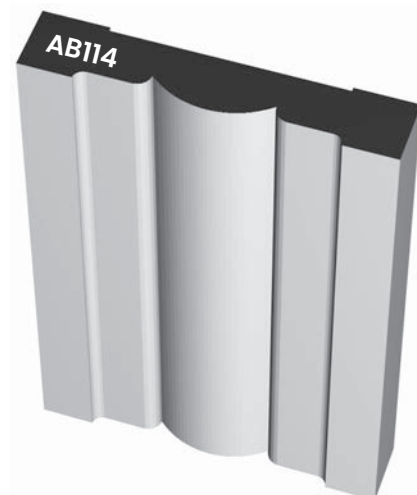
3/4" x 3-1/2"



3/4" x 3-1/2"

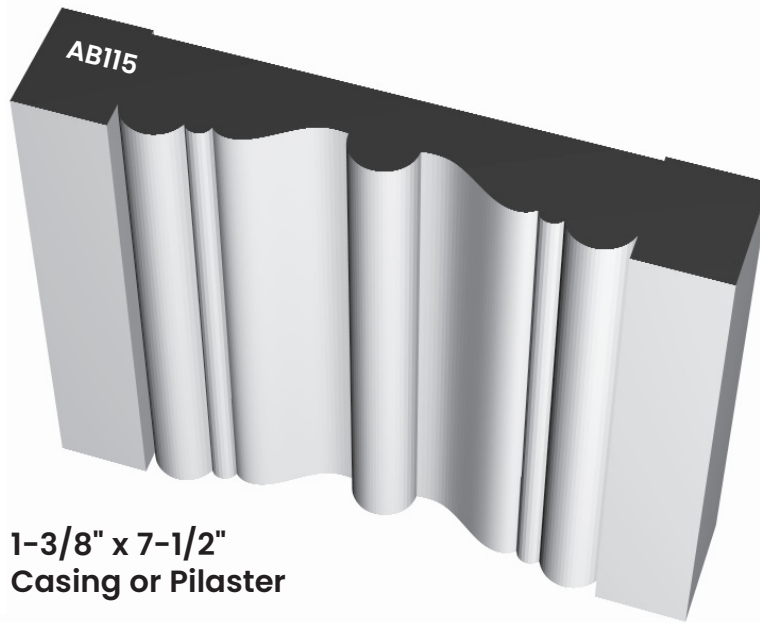


3/4" x 3-1/2"

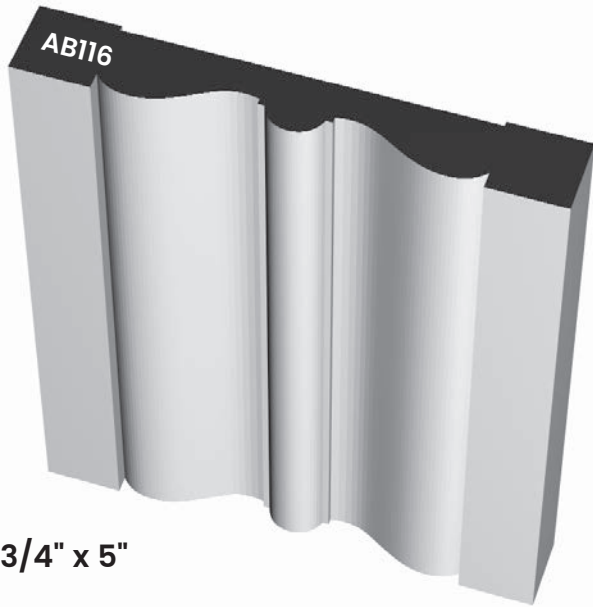


3/4" x 4"

*Special Order Items are Available in ANY Species.
All items on this page are special order; lead time 3-1/2 weeks; priming and finishing available.



1-3/8" x 7-1/2"
Casing or Pilaster



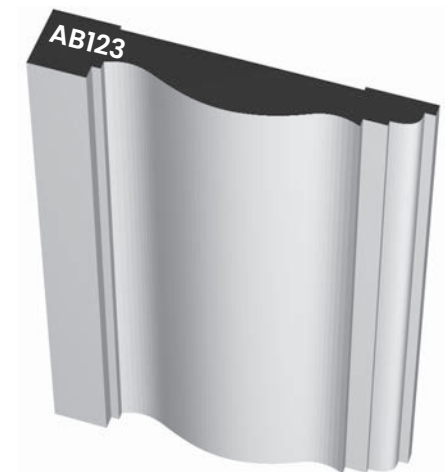
3/4" x 5"



1-3/8" x 4-3/8"

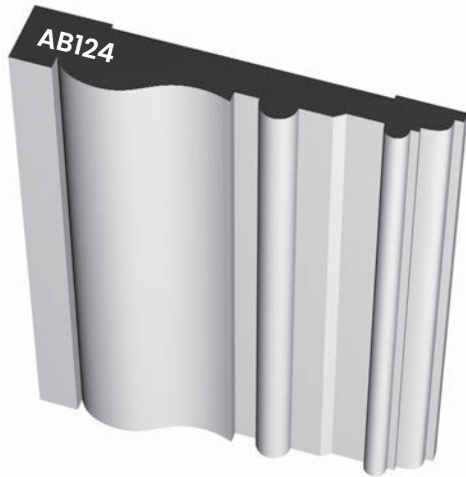


1-5/16" x 4-7/8"



3/4" x 4"

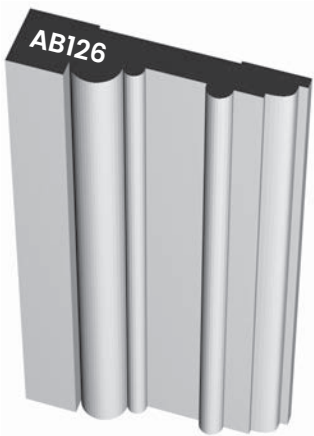
*Special Order Items are Available in ANY Species.
All items on this page are special order; lead time 3-1/2 weeks; priming and finishing available.



13/16" x 4-5/8"



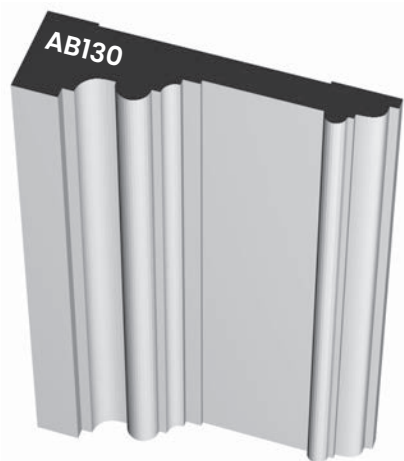
3/4" x 4"



3/4" x 3-1/32"



3/4" x 3-21/32"



1-1/16" x 3-3/4"

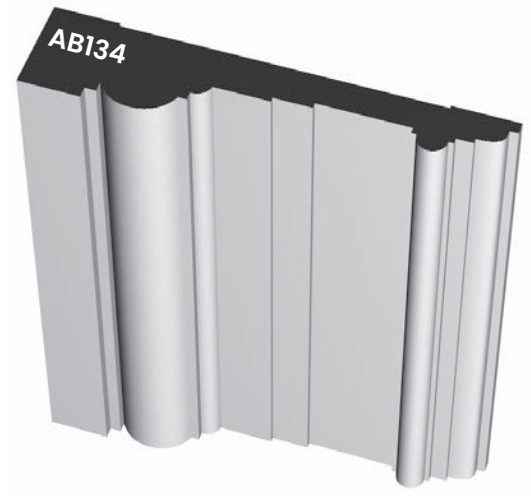


1-1/16" x 4"

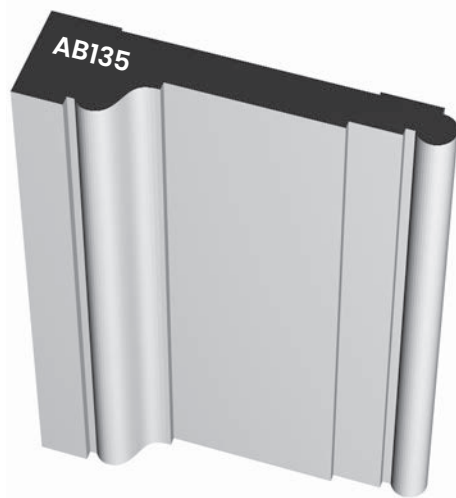
*Special Order Items are Available in ANY Species.
All items on this page are special order; lead time 3-1/2 weeks; priming and finishing available.



1-3/32" x 4-7/8"

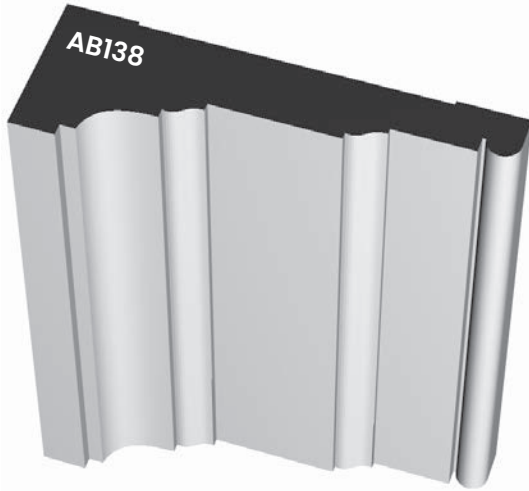


1-1/16" x 5"

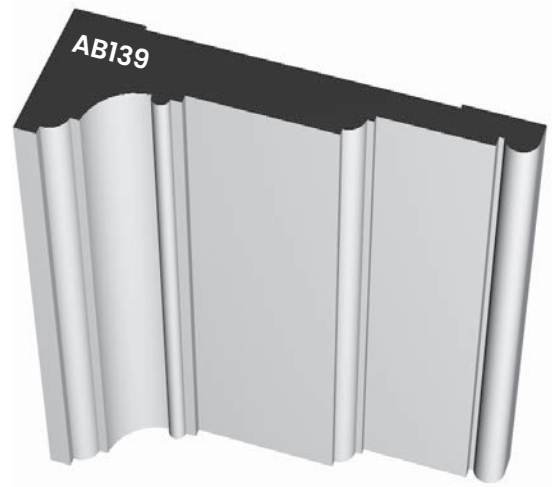


1-1/8" x 4-1/4"

*Special Order Items are Available in ANY Species.
All items on this page are special order; lead time 3-1/2 weeks; priming and finishing available.



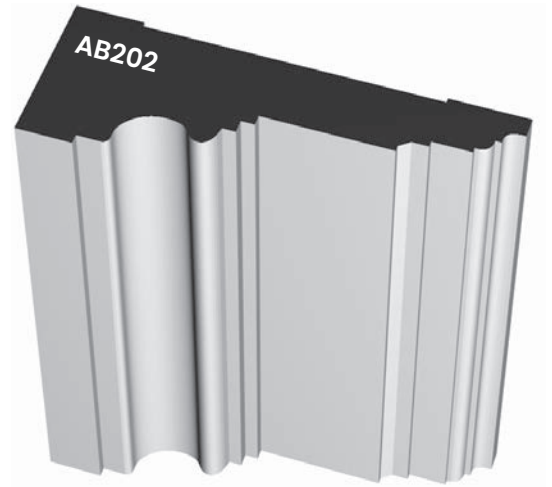
1-11/16" x 5"



1-3/4" x 5-5/32"



1-1/4" x 4"



1-3/4" x 4-7/8"

*Special Order Items are Available in ANY Species.
All items on this page are special order; lead time 3-1/2 weeks; priming and finishing available.



AB205-1 3/4" x 6"
AB205-2 1/2" x 2-1/4"



AB207-1 1-1/2" x 3-7/16"
AB207-2 1" x 5-9/16"
AB207-3 3/4" x 2-13/16"



AB208
3/4" x 6-1/2"



AB209 1-5/32" x 5-1/2"
AB004 5/8" x 1-1/4"

*Special Order Items are Available in ANY Species.
All items on this page are special order; lead time 3-1/2 weeks; priming and finishing available.

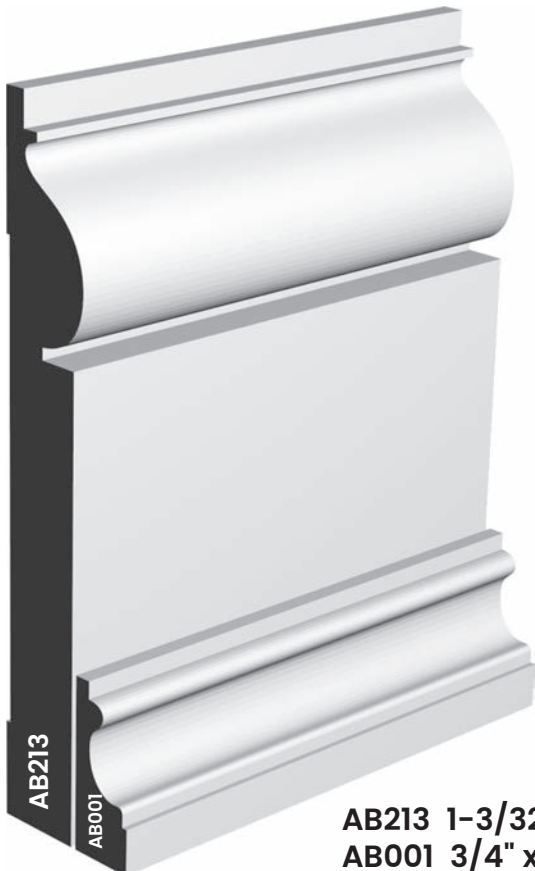
SPECIAL ORDER



AB210-1 1-5/32" x 2-9/16"
AB210-2 1-13/32" x 5"
AB001 3/4" x 1-7/8"



AB211 1-1/8" x 2-3/4"
AB026 5/8" x 1-13/16"



AB213 1-3/32" x 7-1/2"
AB001 3/4" x 1-7/8"

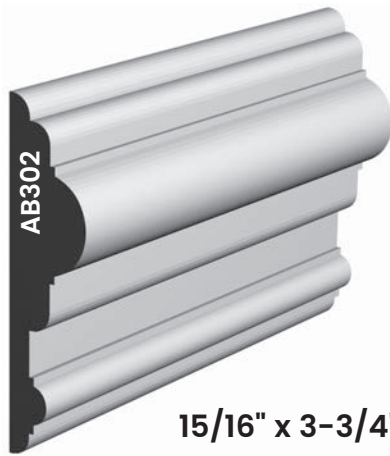


AB214 3/4" x 6"
AB028 1/2" x 1"

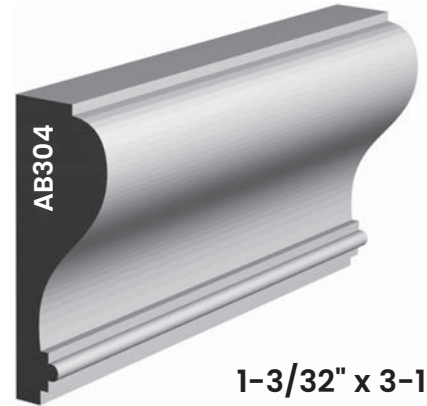
*Special Order Items are Available in ANY Species.
 All items on this page are special order; lead time 3-1/2 weeks; priming and finishing available.



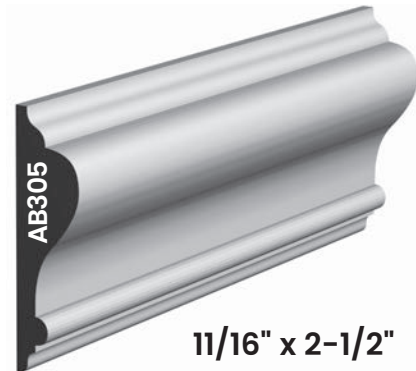
AB203
Baseboard
1-1/16" x 6-1/2"



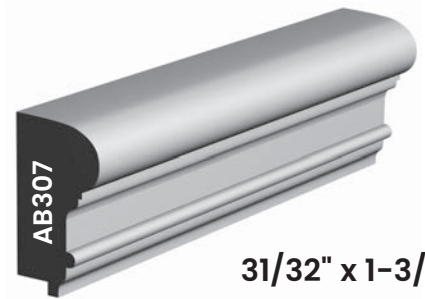
AB302
15/16" x 3-3/4"



AB304
1-3/32" x 3-1/8"



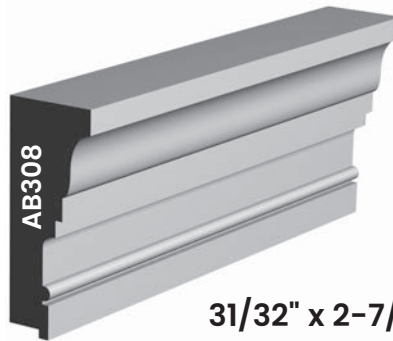
AB305
11/16" x 2-1/2"



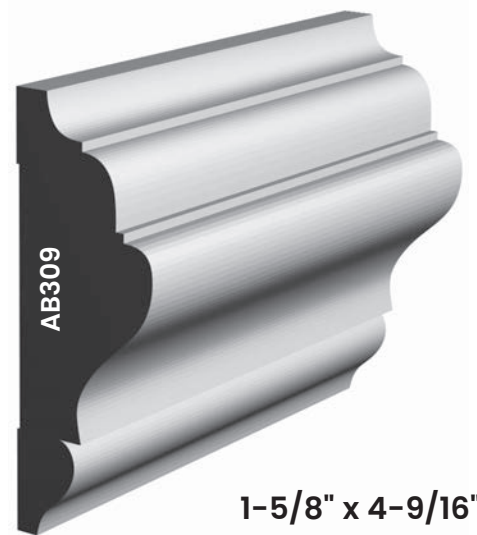
AB307
31/32" x 1-3/4"



AB204
Baseboard
11/16" x 5-1/2"



AB308
31/32" x 2-7/16"



AB309
1-5/8" x 4-9/16"



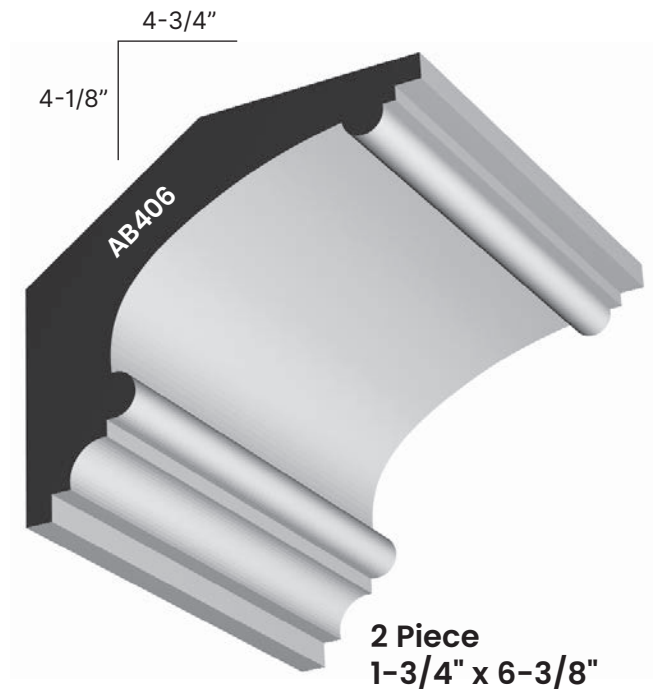
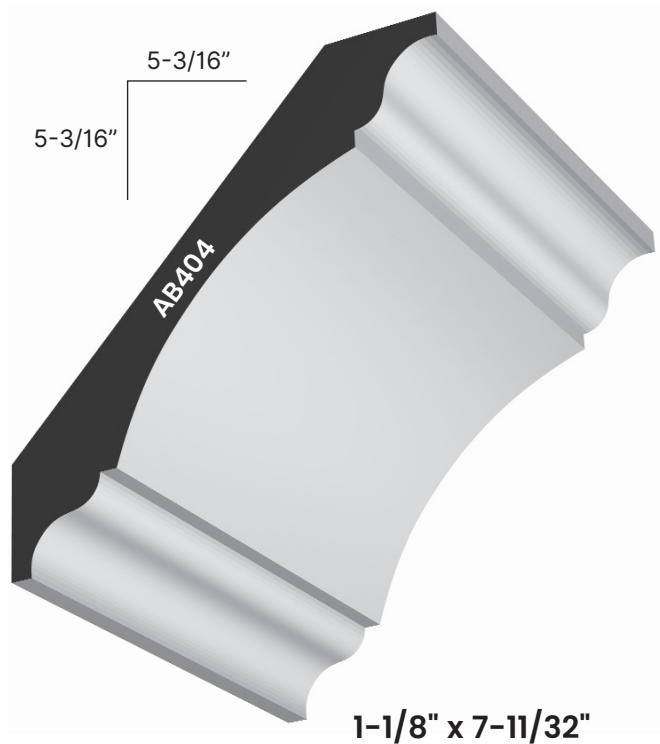
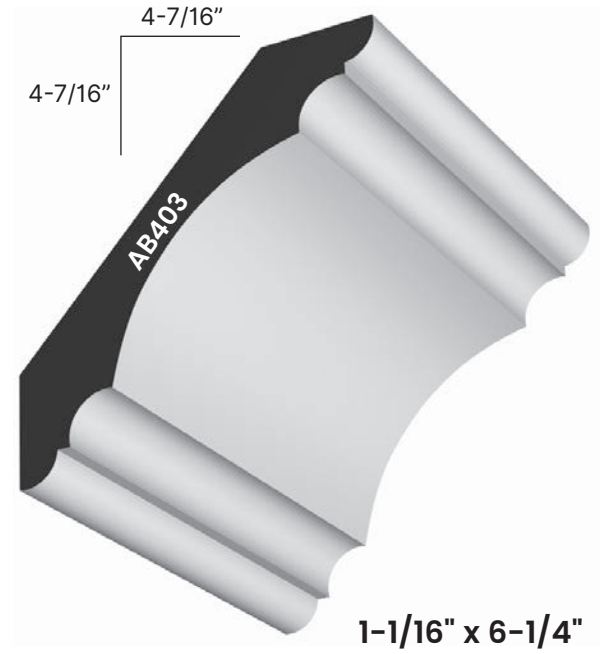
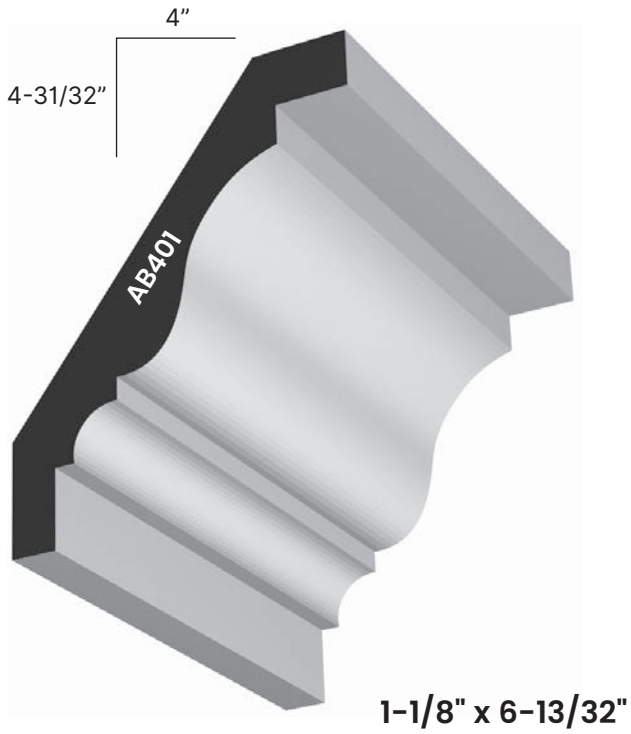
AB311-BN
1-5/16" x 2"
Rabbit Dimension: 3/8"



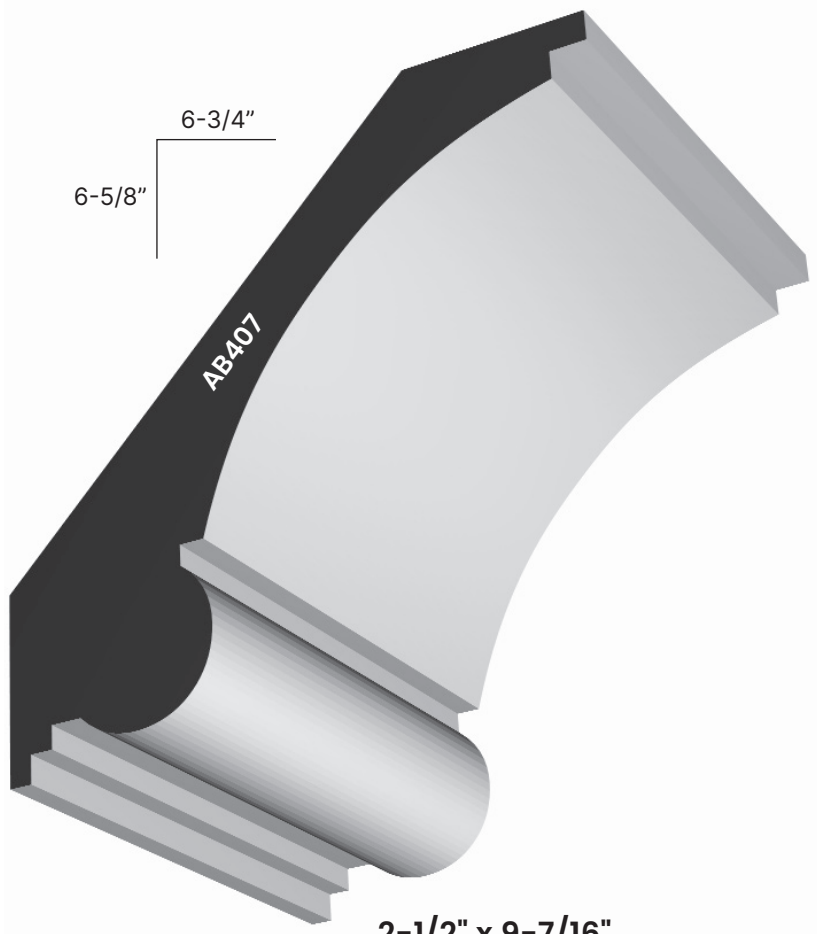
AB311-2
1-1/16" x 2"
Rabbit Dimension: 1/2"

*Special Order Items are Available in ANY Species.
All items on this page are special order; lead time 3-1/2 weeks; priming and finishing available.

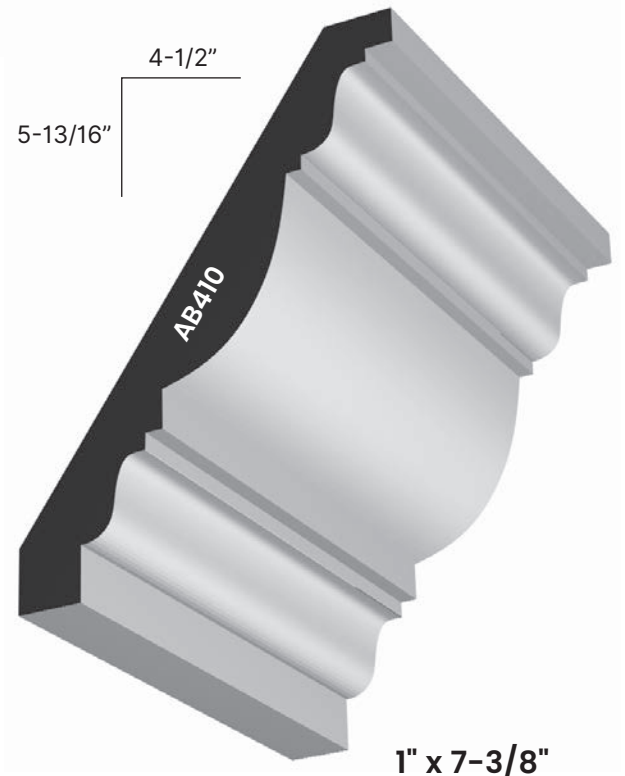
SPECIAL ORDER



*Special Order Items are Available in ANY Species.
All items on this page are special order; lead time 3-1/2 weeks; priming and finishing available.



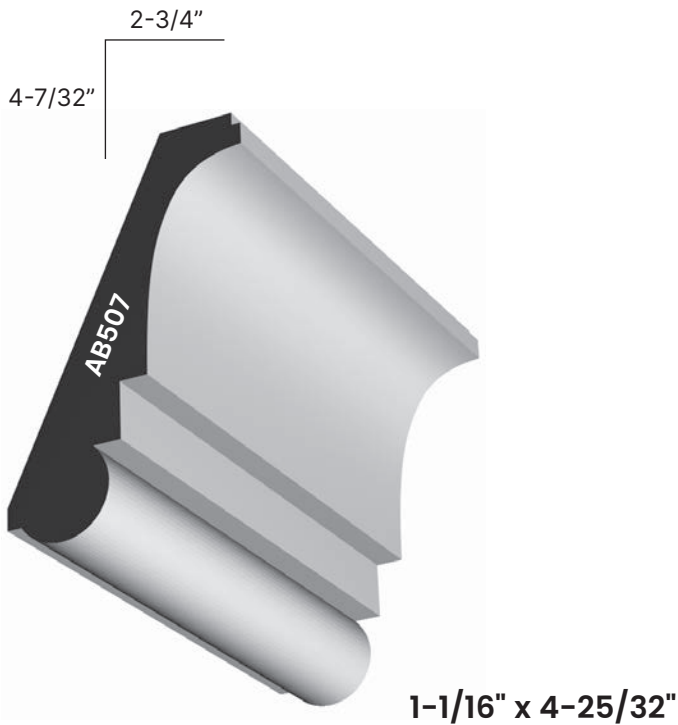
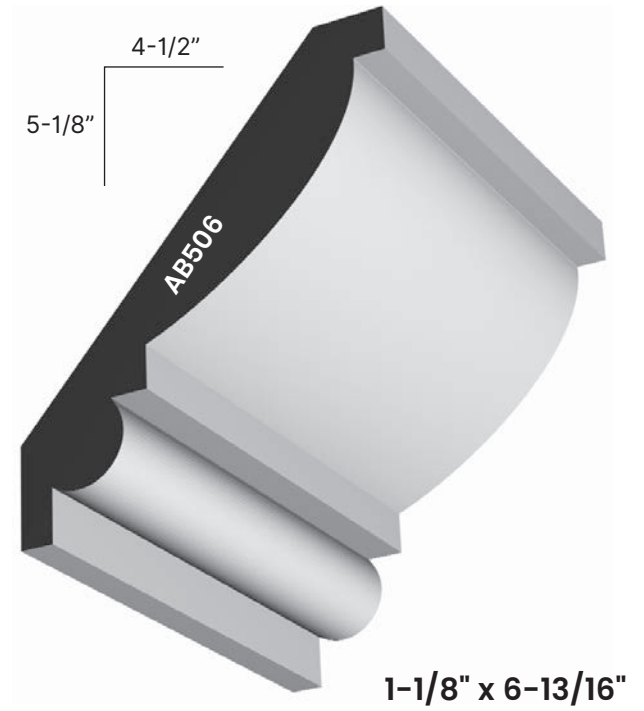
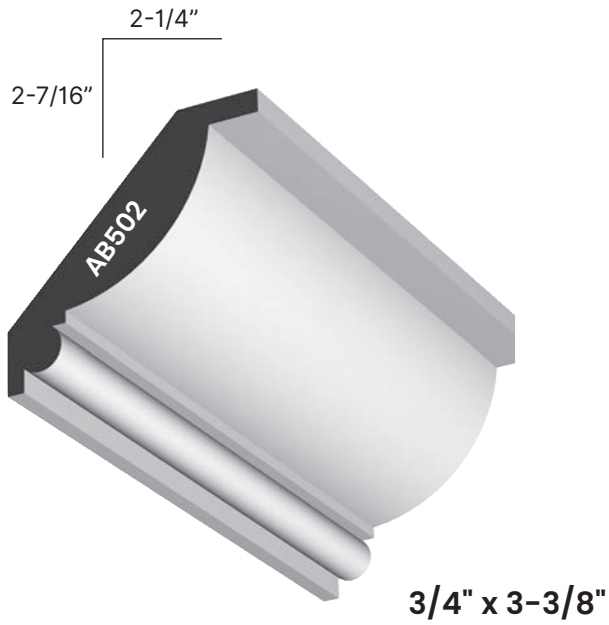
2-1/2" x 9-7/16"
(2 Piece)



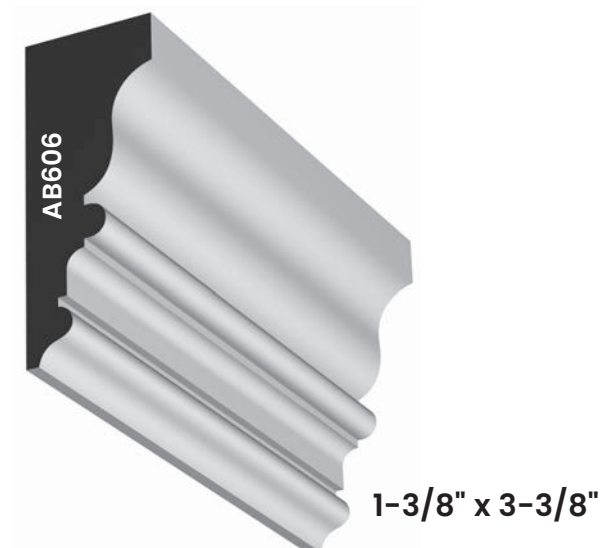
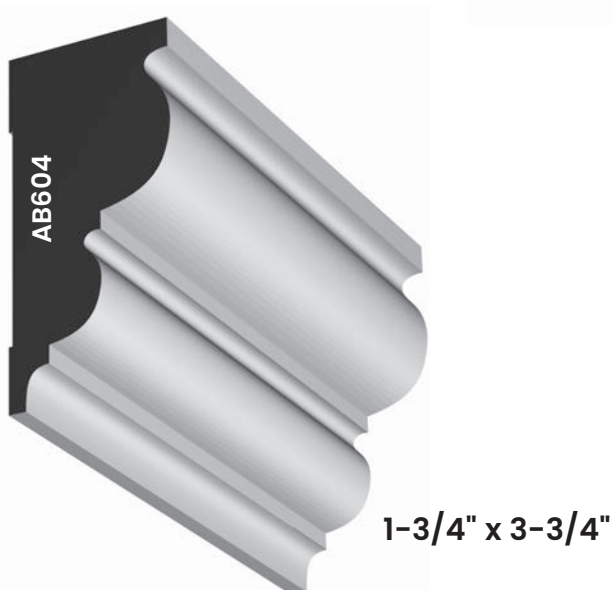
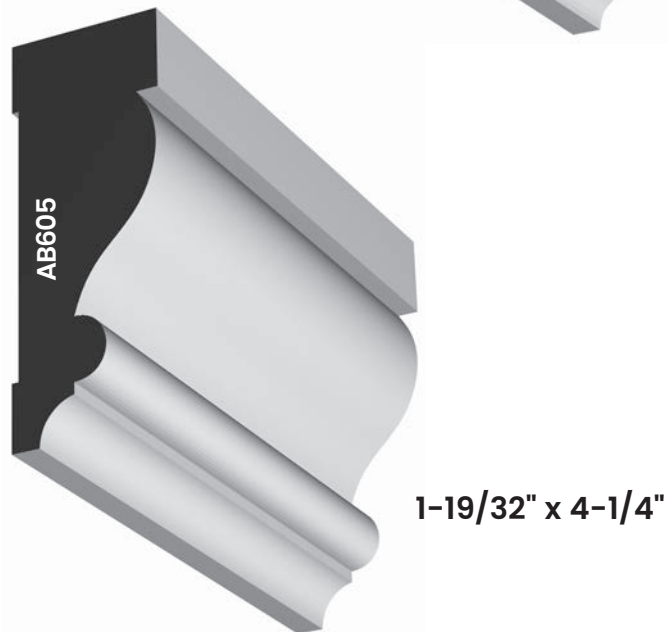
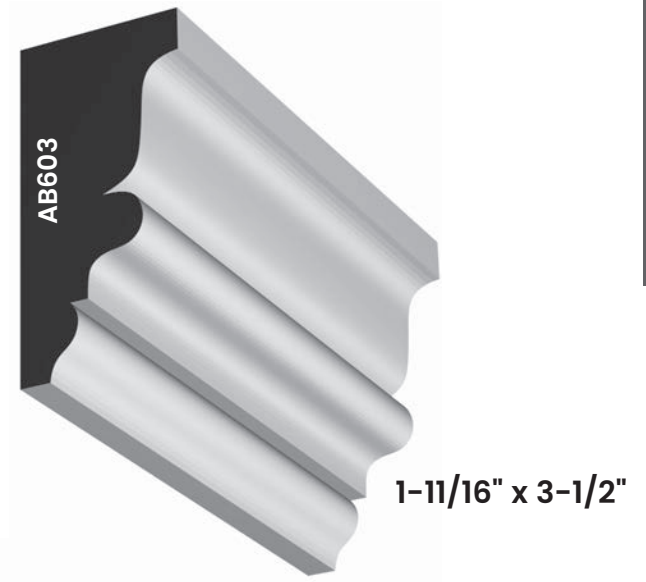
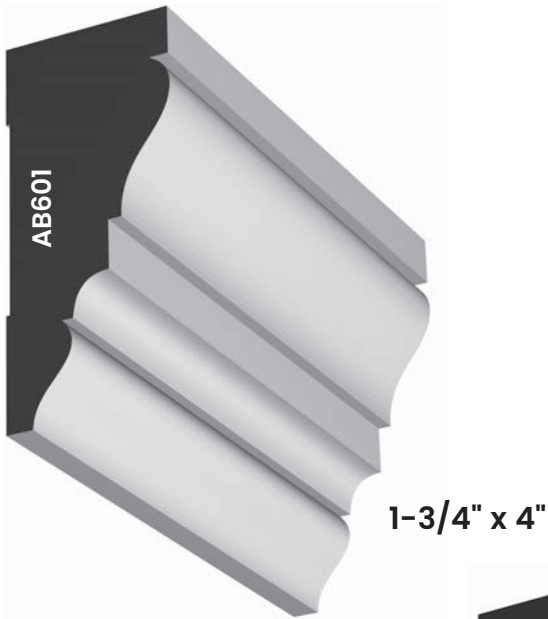
1" x 7-3/8"

*Special Order Items are Available in ANY Species.
All items on this page are special order; lead time 3-1/2 weeks; priming and finishing available.

SPECIAL ORDER

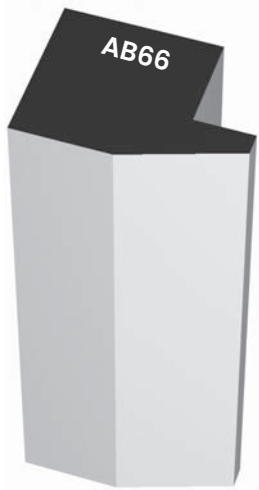


*Special Order Items are Available in ANY Species.
All items on this page are special order; lead time 3-1/2 weeks; priming and finishing available.



*Special Order Items are Available in ANY Species.
All items on this page are special order; lead time 3-1/2 weeks; priming and finishing available.

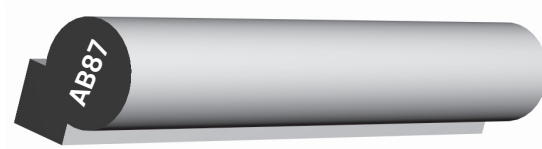
SPECIAL ORDER



Plinth
1-3/4" x 2-7/16"



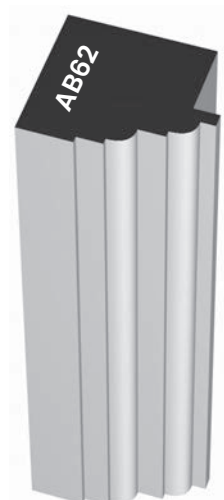
Plinth
1-1/8" x 4-3/4"



Bead
1-1/8" x 1-1/8"



Backband
1-1/2" x 2"



Backband
1-1/2" x 1-3/4"

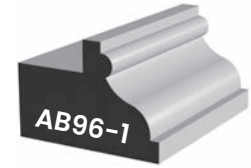
*Special Order Items are Available in ANY Species.
All items on this page are special order; lead time 3-1/2 weeks; priming and finishing available.



Backband
1-1/16" x 2-1/4"



Backband
1-1/2" x 1-7/8"

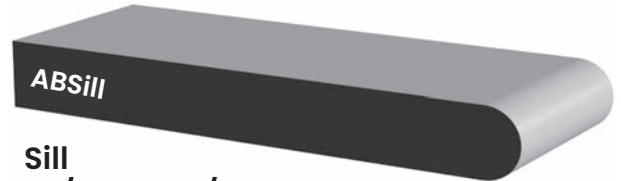


Backband
1-1/16" x 1-9/16"

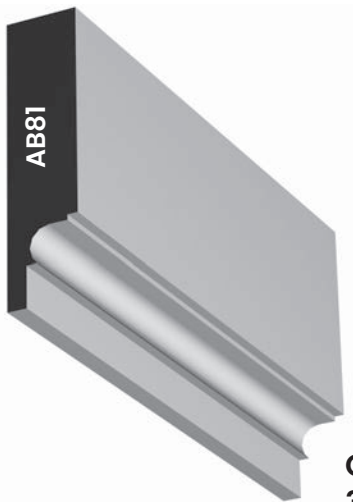
Rabbit Dimensions:
P = 3/4" / PFJ = 21/32"



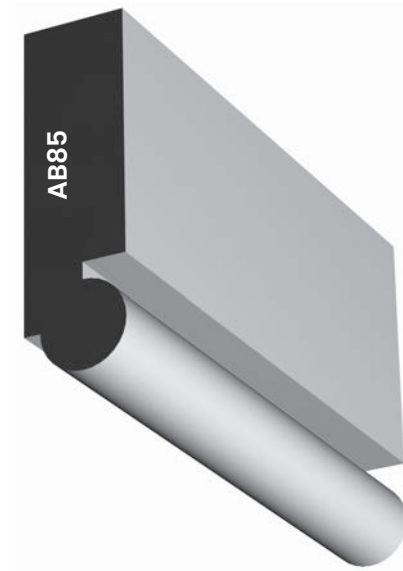
Crown Extender
3/4" x 3"



Sill
23/32" x 5-1/2"



Crown Extender
3/4" x 3"



Crown Extender
1-1/32" x 3-1/2"

*Special Order Items are Available in ANY Species.
All items on this page are special order; lead time 3-1/2 weeks; priming and finishing available.

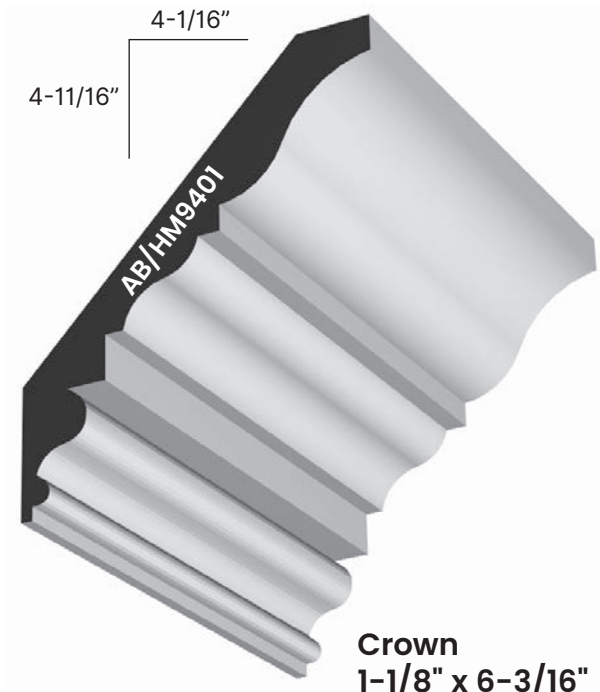
HISTORIC



Casing
1-1/4" x 4-1/2"



Chair Rail
3/4" x 2-5/8"



Crown
1-1/8" x 6-3/16"



Base
1-1/8" x 7-7/8"

*Special Order Items are Available in ANY Species.
All items on this page are special order; lead time 3-1/2 weeks; priming and finishing available.



Casing
1-5/16" x 4-5/8"



Chair Rail
1-1/8" x 3-3/16"



Crown
1-1/8" x 6-15/32"



Base Cap 1-1/16" x 2-1/8"
Base 1-1/16" x 6" (+/-)

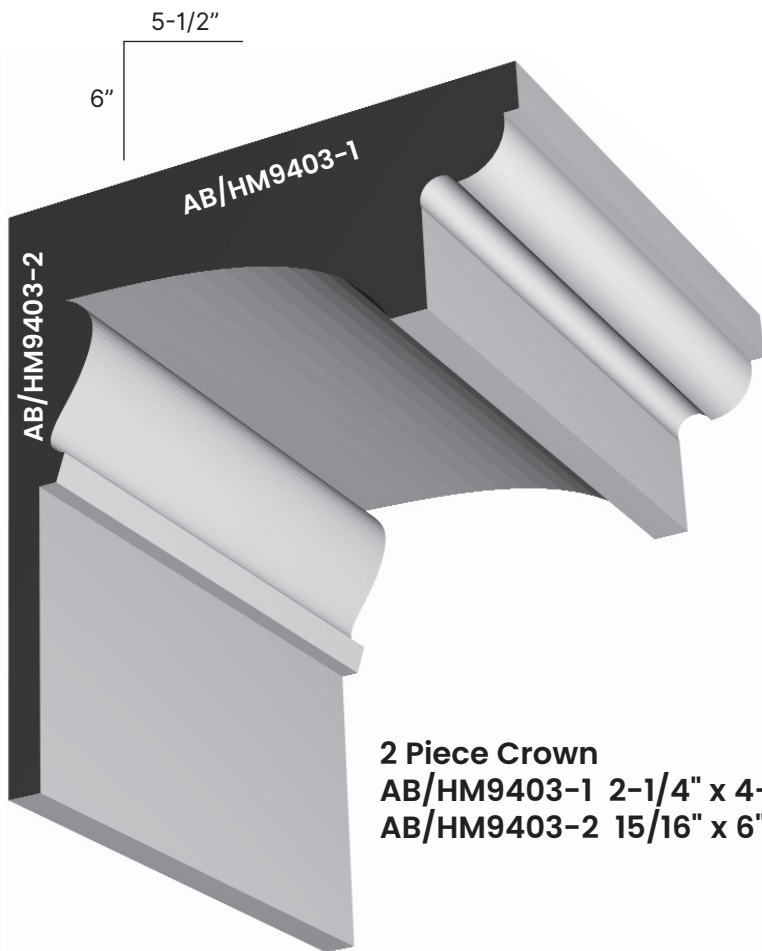
*Special Order Items are Available in ANY Species.
All items on this page are special order; lead time 3-1/2 weeks; priming and finishing available.



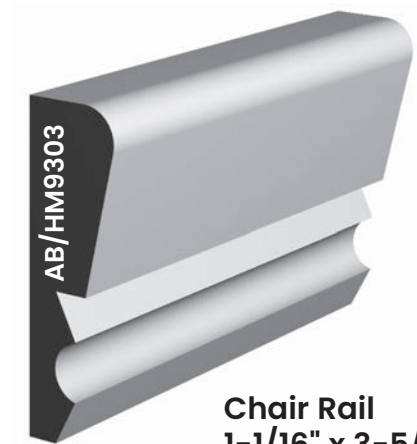
Casing
1" x 4-15/16"



Base 5/8" x 8-1/2"
Shoe 1" x 2-3/4"

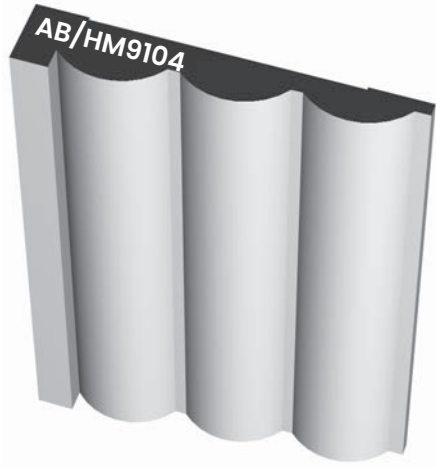


2 Piece Crown
AB/HM9403-1 2-1/4" x 4-27/32"
AB/HM9403-2 15/16" x 6"

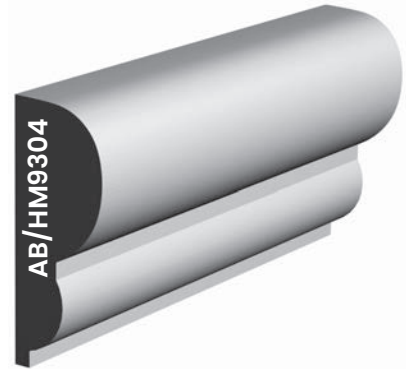


Chair Rail
1-1/16" x 3-5/8"

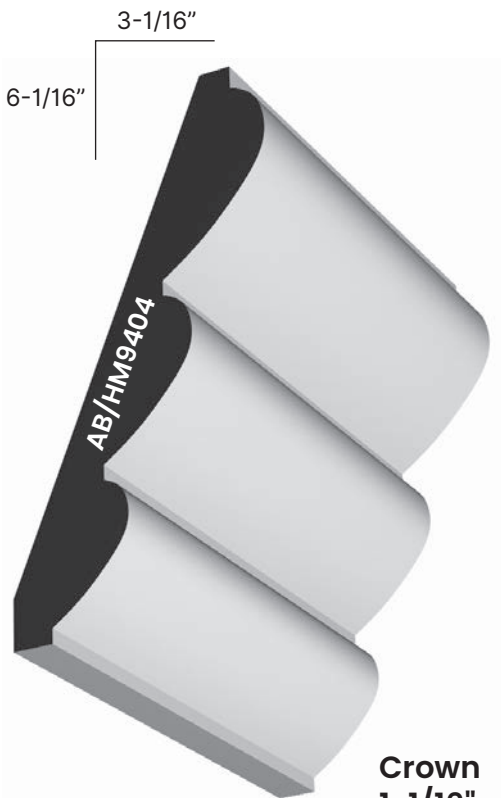
*Special Order Items are Available in ANY Species.
All items on this page are special order; lead time 3-1/2 weeks; priming and finishing available.



Casing
3/4" x 4-1/4"



Chair Rail
1-1/16" x 2-7/8"



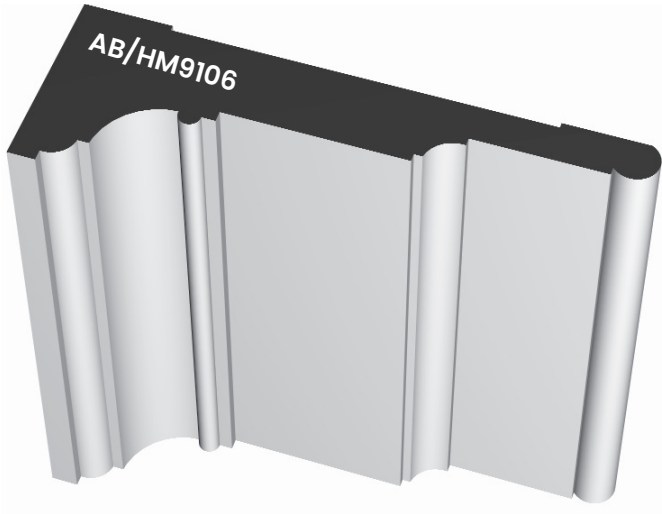
Crown
1-1/16" x 6-5/8"



Base 1-1/16" x 7-7/8"
Shoe 3/4" x 1-1/2"

HISTORIC

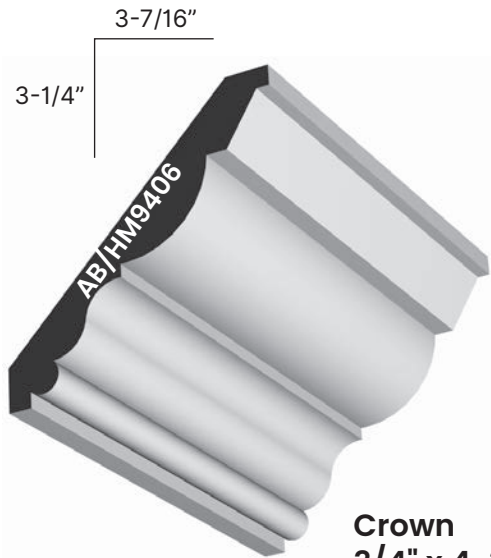
*Special Order Items are Available in ANY Species.
All items on this page are special order; lead time 3-1/2 weeks; priming and finishing available.



Casing
2-1/8" x 6-3/8"



Chair Rail
1-1/8" x 3-1/4"



Crown
3/4" x 4-3/4"

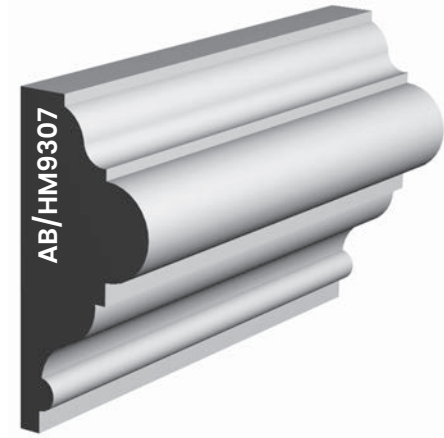


Base
15/16" x 7-3/8"

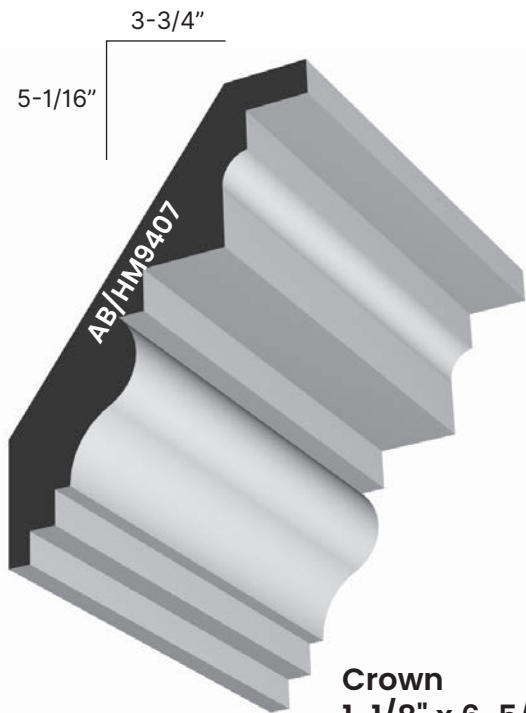
*Special Order Items are Available in ANY Species.
All items on this page are special order; lead time 3-1/2 weeks; priming and finishing available.



Casing
1-1/8" x 4-13/16"



Chair Rail
1-5/8" x 3-11/16"



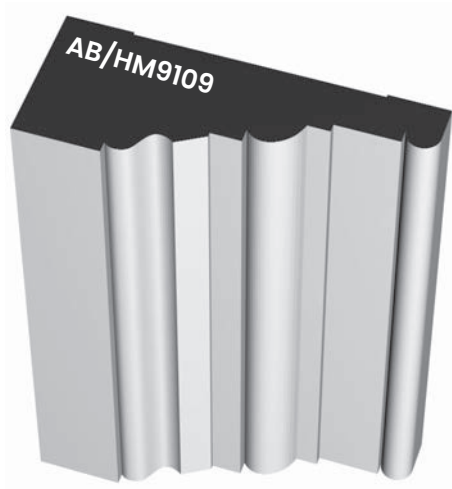
Crown
1-1/8" x 6-5/16"



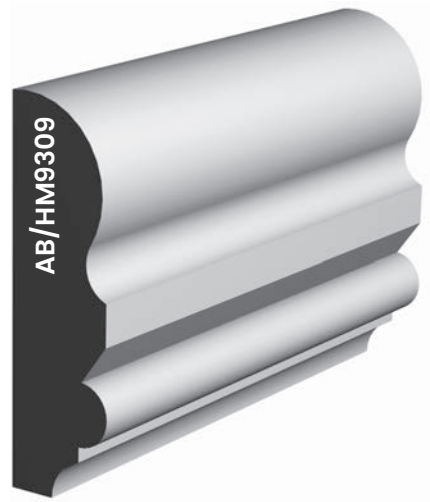
Base Cap 3/4" x 3-3/8"
Baseboard 1-5/8" x 4-1/4"

HISTORIC

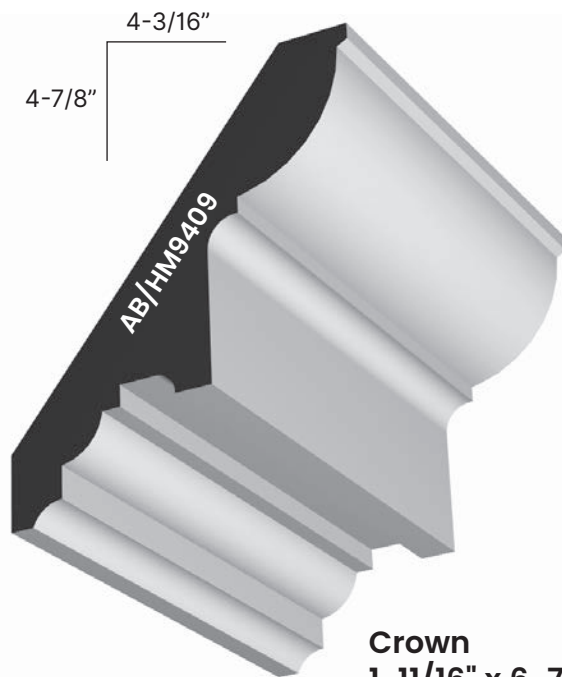
*Special Order Items are Available in ANY Species.
All items on this page are special order; lead time 3-1/2 weeks; priming and finishing available.



Casing
1-21/32" x 4-3/16"



Chair Rail
1-1/8" x 4"

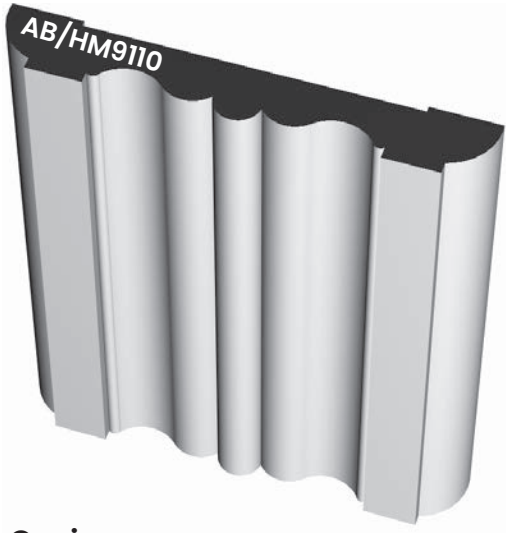


Crown
1-11/16" x 6-7/16"

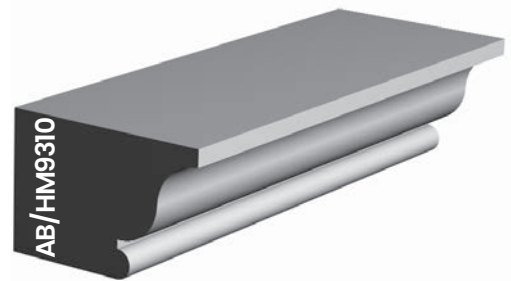


Base
15/16" x 3-13/16"

*Special Order Items are Available in ANY Species.
All items on this page are special order; lead time 3-1/2 weeks; priming and finishing available.

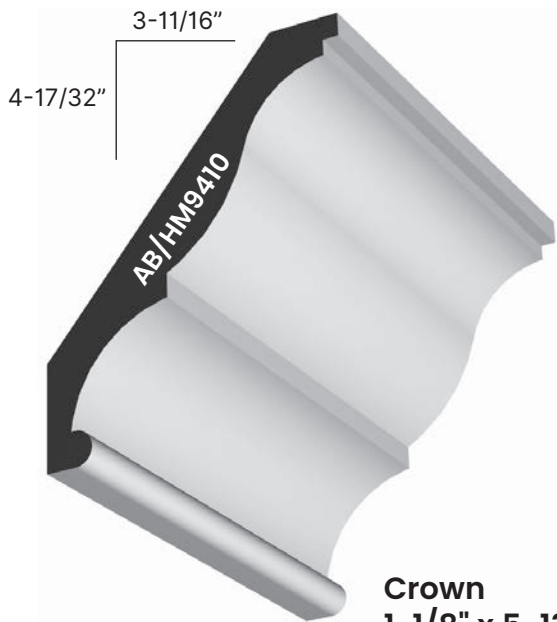


Casing
3/4" x 5"



Chair Rail
1-1/2" x 2-1/4"

HISTORIC



Crown
1-1/8" x 5-13/16"



Base
3/4" x 8"

*Special Order Items are Available in ANY Species.
All items on this page are special order; lead time 3-1/2 weeks; priming and finishing available.



**MILLWORK DESIGN
BY OXFORD**

800.669.9871

Fax 203.888.0493 | MDOxford.com



**MILLWORK
DESIGN**

BY OXFORD

Our Oxford Promise

We are committed to high quality and great service, which means having the products you count on always being available. As such, we guarantee to always have in stock our top 10 products for our distributors, otherwise you will have a 10% discount off your next order of these items with us. These items are updated based on home interior design trends, so please visit regularly to confirm availability.

Please see website for full terms and conditions.

800.669.9871

Fax 203.888.0493 | MDOxford.com